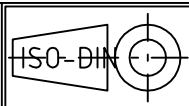


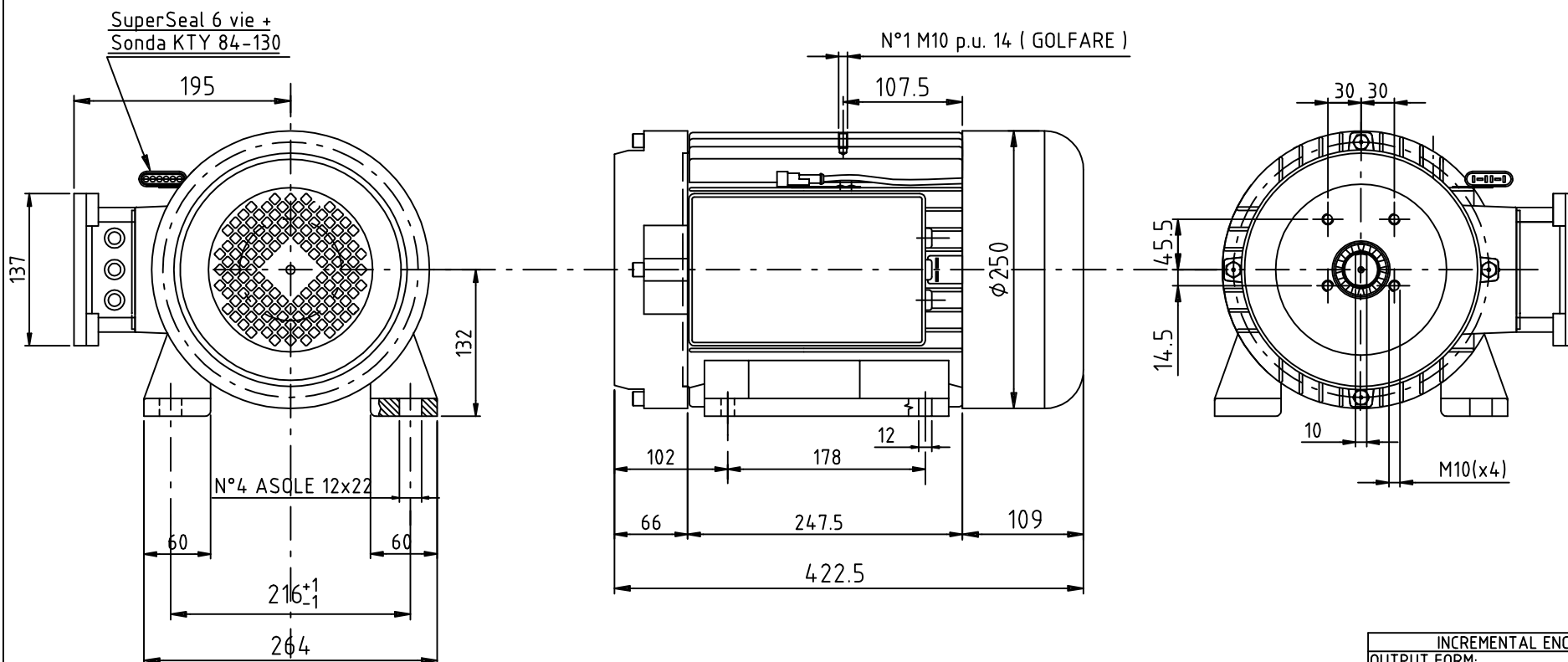
**BEST MOTOR**Tel. 059 - 858059
fax. 059 - 850410

MOTORE POMPA IP54/IP65

(REV. 0 DEL 28/05/2014)

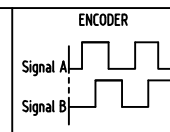
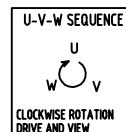


POTENZA POWER 5000 W	TENSIONE VOLTAGE 48 V	CORRENTE CURRENT 115 A	RPM 2000	SERVIZIO SERVICE S2 = 60'	SERVIZIO SERVICE S3 = 70 %	CLASSE ISOL. F	VENTILAZIONE ESTERNA	ECCITAZIONE FREQ. 70Hz.	PESO WEIGHT Kg 53
----------------------------	-----------------------------	------------------------------	-------------	---------------------------------	----------------------------------	----------------------	-------------------------	----------------------------	-------------------------



G0501500

Firma PROG. : Po M.



INCREMENTAL ENCODER		
OUTPUT FORM:	OPEN COLLECTOR	
POWER SUPPLY:	+5 / +24 VDC	
OUTPUT CURRENT	20 mA max.	
N° PULSE REVOLUTION:	80	
N°PIN:	DESCRIPTION:	COLOUR:
1	+VCC	RED
2	GND	BLACK
3	SIGNAL A	WHITE(Green)
4	SIGNAL B	BLUE
5/6	KTY 84-130	

G0501500