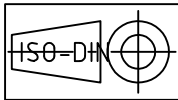
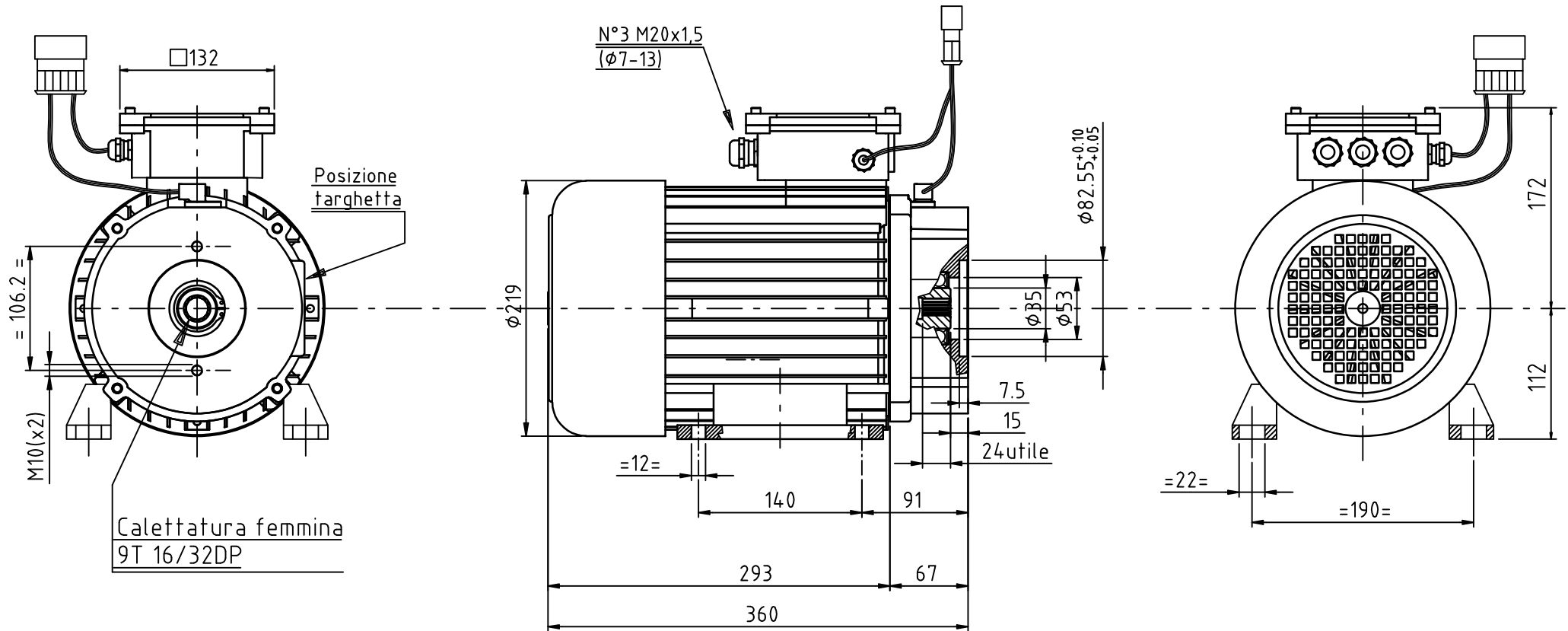


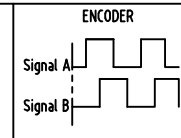
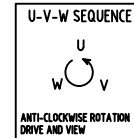
**BEST MOTOR**Tel. 059 - 858059
fax. 059 - 850410MOTORE-POMPA
(REV. 0 DEL 27/04/2018)

POTENZA POWER 5 kW	TENSIONE VOLTAGE 48VDC-32VAC	CORRENTE CURRENT 150 A	RPM 2500	SERVIZIO SERVICE S2 = 60'	SERVIZIO SERVICE S3 = 70 %	CLASSE ISOL. F	INDEX COOLING IC 411	ECCITAZIONE FREQ. (85 Hz)	PESO WEIGHT Kg 37
--------------------------	------------------------------------	------------------------------	-------------	---------------------------------	----------------------------------	----------------------	-------------------------	------------------------------	-------------------------



Cod.: G0502706

Firma PROG.: Po M.



INCREMENTAL ENCODER		
OUTPUT FORM:		OPEN COLLECTOR
POWER SUPPLY:		+5 / +24 VDC
OUTPUT CURRENT		20 mA max.
N° PULSE REVOLUTION:		64
N° PIN:	DESCRIPTION:	COLOUR:
1	+VCC	RED
2	SIGNAL B	BLUE
3	SIGNAL A	WHITE(Green)
4	GND	BLACK
5/6	KTY 84-130	