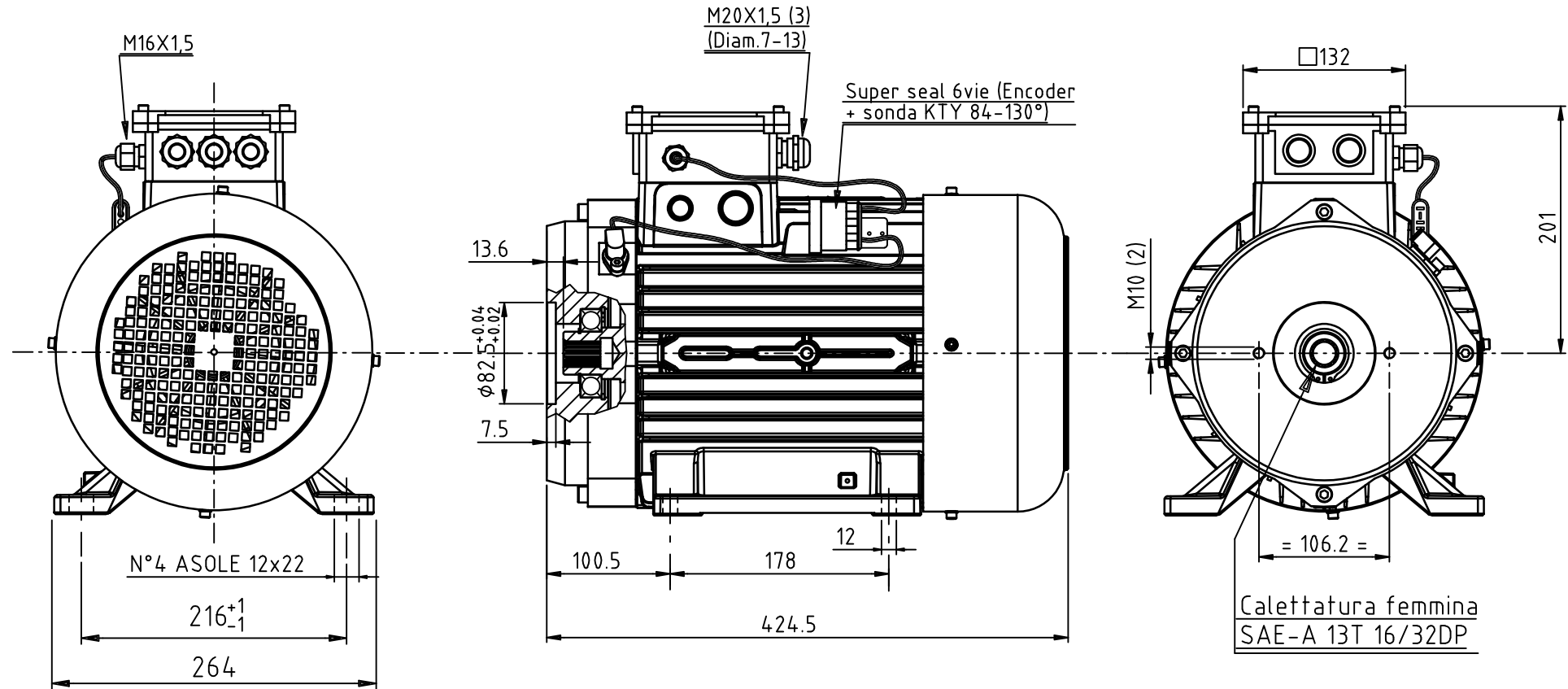
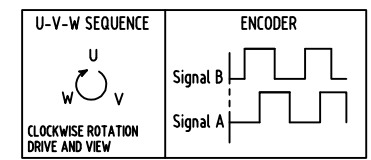


POTENZA POWER 10 kW	TENSIONE VOLTAGE 48VDC-32VAC	CORRENTE CURRENT 225 A	RPM 2650	SERVIZIO SERVICE S2 = 60'	SERVIZIO SERVICE S3 = 70 %	CLASSE ISOL. F	INDEX COOLING IC 411 A	ECCITAZIONE FREQ. 90Hz.	PESO WEIGHT Kg --
---------------------------	------------------------------------	------------------------------	-------------	---------------------------------	----------------------------------	----------------------	---------------------------	----------------------------	-------------------------



Cod. GOA01106

Firma PROG. : Po M.



INCREMENTAL ENCODER		
OUTPUT FORM:	OPEN COLLECTOR	
POWER SUPPLY:	+5 / +24 VDC	
OUTPUT CURRENT	20 mA max.	
N° PULSE REVOLUTION:	64	
N° PIN:	DESCRIPTION:	COLOUR:
1	+VCC	RED
2	SIGNAL A	WHITE(Green)
3	SIGNAL B	BLUE
4	GND	BLACK
5/6	KTY 84-130	