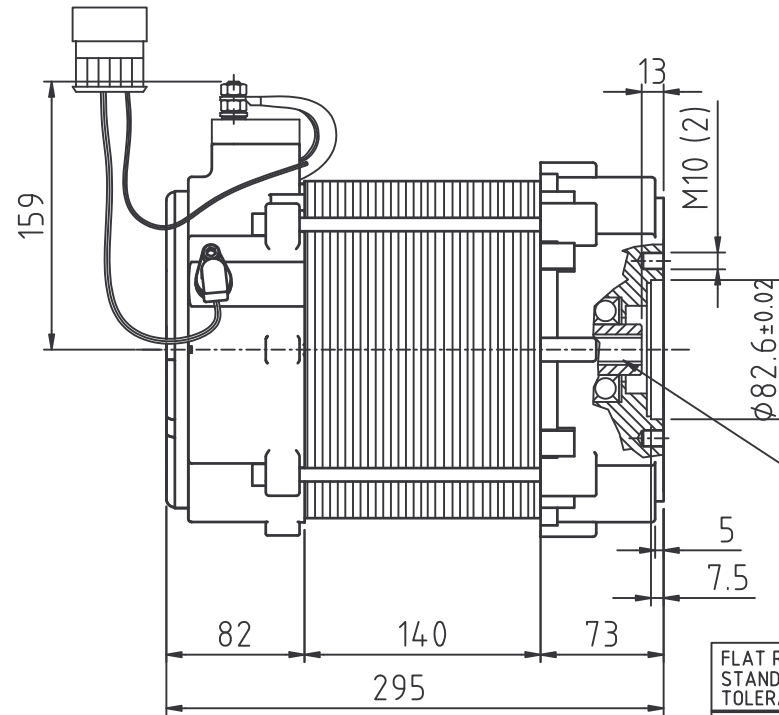
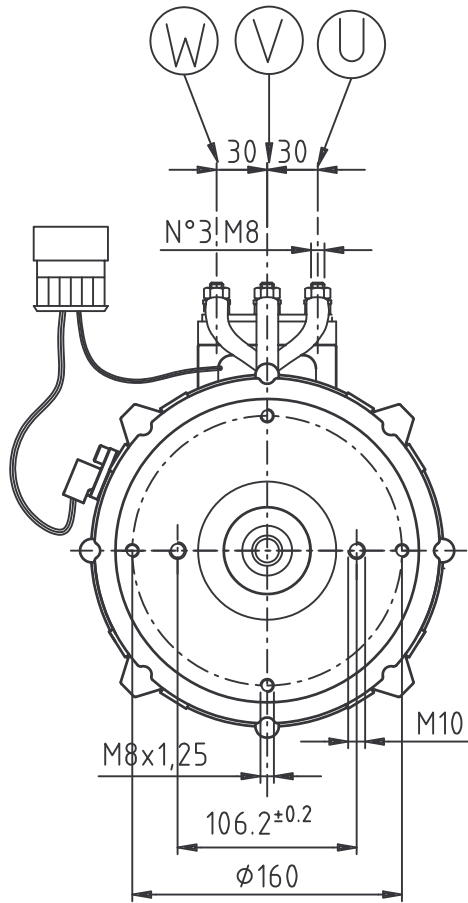
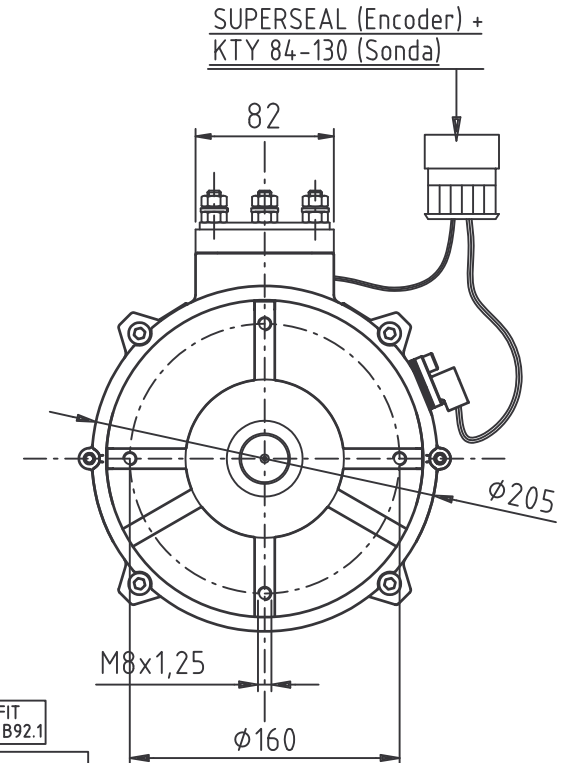


POTENZA POWER 12000	TENSIONE VOLTAGE 48 V	CORRENTE CURRENT 300 A	RPM 2650	SERVIZIO SERVICE S2 = 15'	SERVIZIO SERVICE S3 = 20 %	CLASSE ISOL. H	SENZA VENTILAZIONE	ECCITAZIONE FREQ. (90 Hz)	PESO WEIGHT Kg --
---------------------------	-----------------------------	------------------------------	-------------	---------------------------------	----------------------------------	----------------------	-----------------------	------------------------------	-------------------------



FLAT ROOT SIDE FIT
STANDARD: ANSI B92.1

FLAT ROOT SIDE FIT	STANDARD: ANSI B92.1
TOLERANCE CLASS 5	
NUMBER OF TEETH : 11	
PRESSURE ANGLE : 30°	
NOR DIAMETER PITCH : 16/32	
PITCH DIAMETER : 17.463	
BASE DIAMETER : 15.123	
FORM DIAMETER : 19.152	
MAJOR DIAMETER : 19.710	
MINOR DIAMETER : 16.027	
MIN FFF CIRCULAR TOOTH : 2.494	
MAX ACTUAL CIRCULAR TOOTH : 2.560	
MAX MEAS BETWEEN PIN : 13.317	
MEAS PIN DIA : 2.743	



INCREMENTAL ENCODER		
OUTPUT FORM:	OPEN COLLECTOR	
POWER SUPPLY:	+5 / +24 VDC	
OUTPUT CURRENT	20 mA max.	
N° PULSE REVOLUTION:	64	
N°PIN:	DESCRIPTION:	COLOUR:
1	+VCC	RED
2	GND	BLACK
3	SIGNAL A	WHITE(Green)
4	SIGNAL B	BLUE
5/6	KTY 84-130	

Cod.: G0C01400

Firma PROG. : Po M.