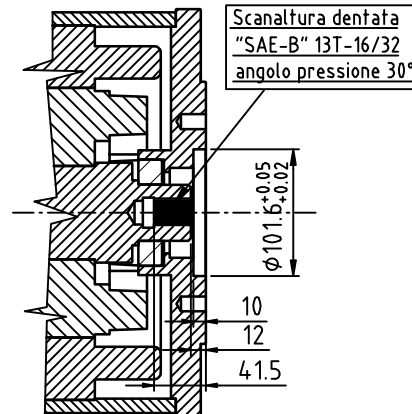
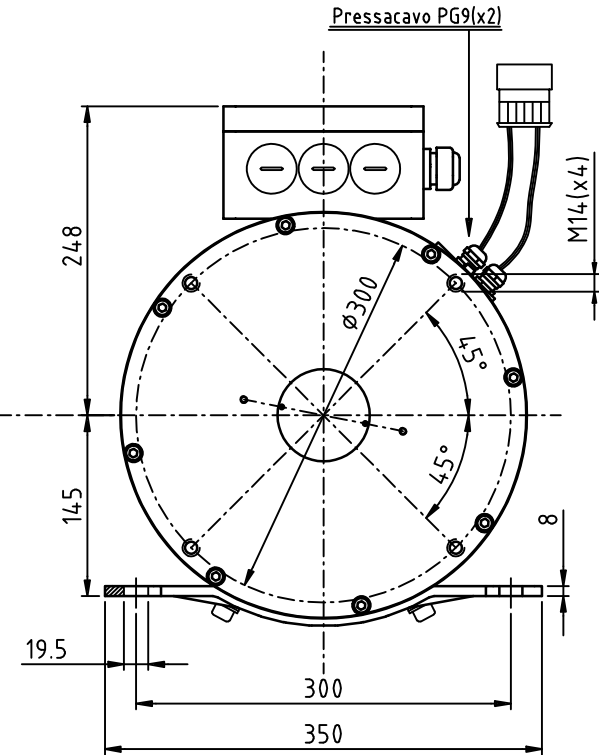
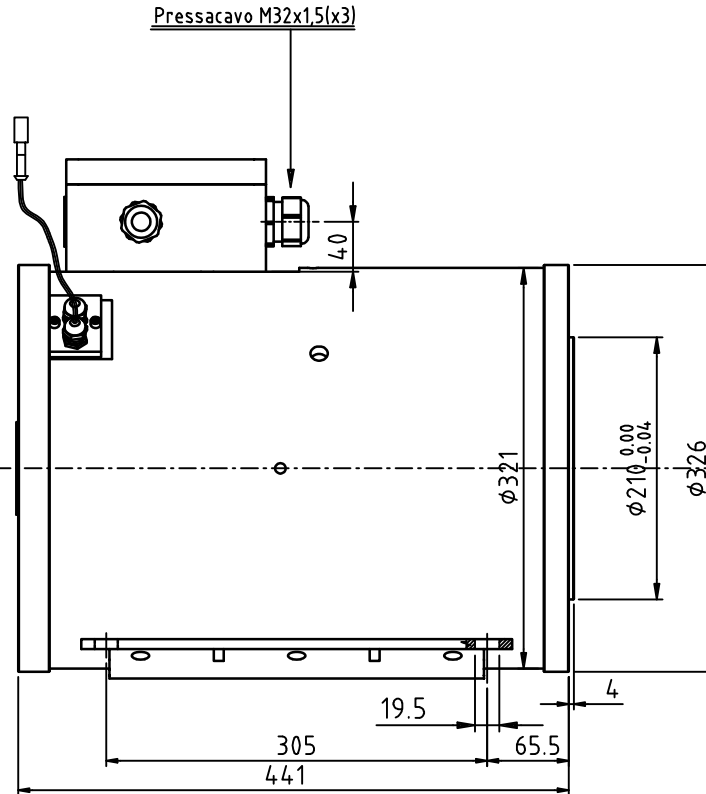
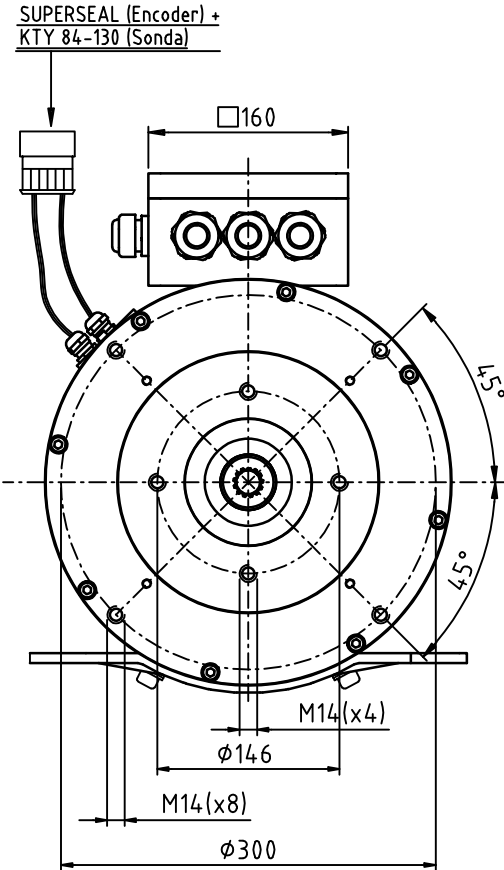
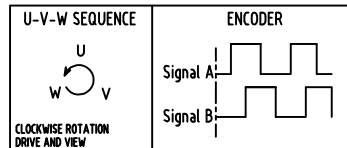


POTENZA POWER 43 kW	TENSIONE VOLTAGE 120VDC-84VAC	CORRENTE CURRENT 390 A	RPM 1850	SERVIZIO SERVICE S2 = 30'	SERVIZIO SERVICE S3 = 40 %	CLASSE ISOL. H	INDEX COOLING IC 410	ECCITAZIONE FREQ. (94 Hz)	PESO WEIGHT Kg 214
---------------------------	-------------------------------------	------------------------------	-------------	---------------------------------	----------------------------------	----------------------	-------------------------	------------------------------	--------------------------



Colore RAL 9005

Cod.:G0Z00906



Firma PROG.: Po M.

INCREMENTAL ENCODER		
OUTPUT FORM:	OPEN COLLECTOR	
POWER SUPPLY:	+5 / +24 VDC	
OUTPUT CURRENT	20 mA max.	
N° PULSE REVOLUTION:	64	
N°PIN:	DESCRIPTION:	COLOUR:
/	+VCC	RED
/	GND	BLACK
/	SIGNAL A	WHITE(Green)
/	SIGNAL B	BLUE
/	KTY 84-130	