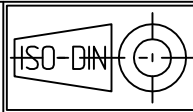




BEST MOTOR

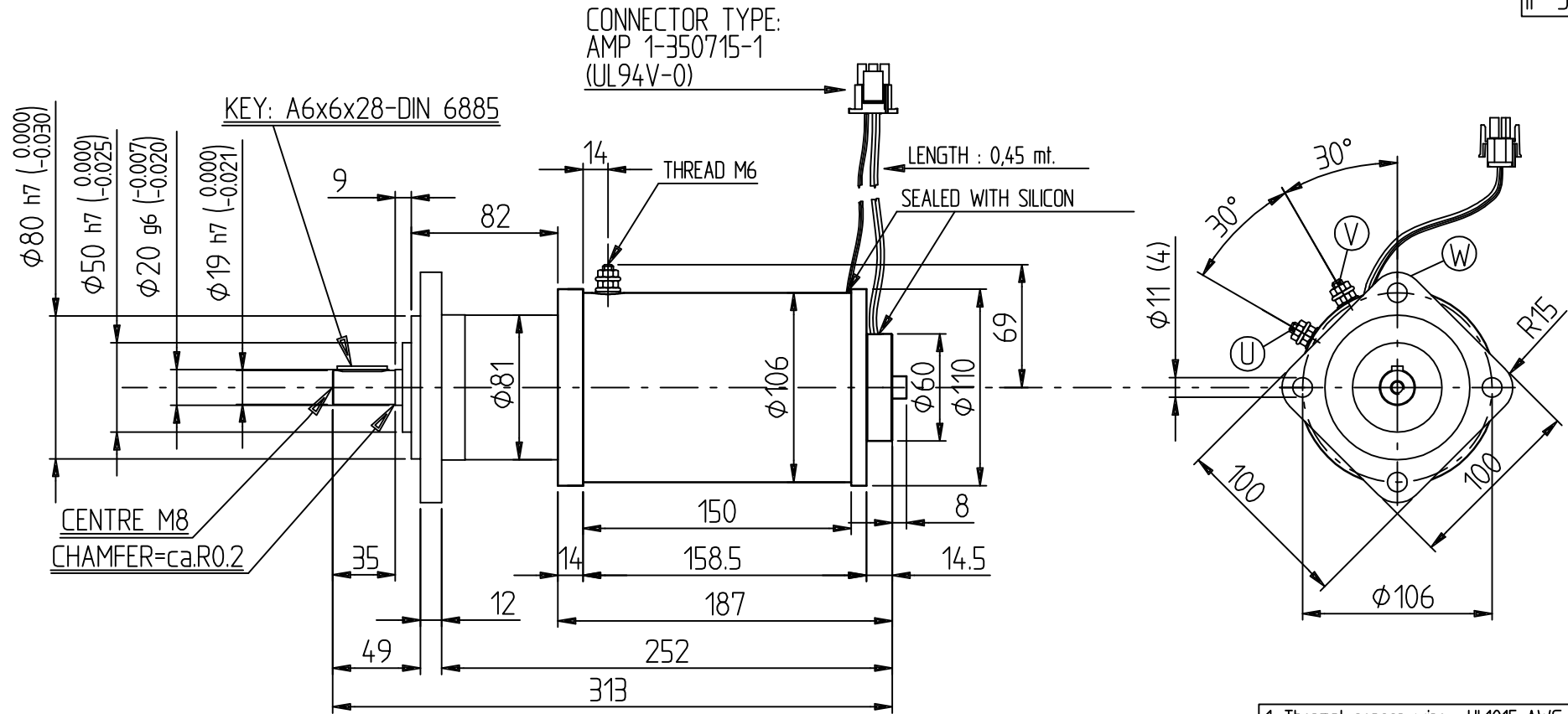
Tel. 059 - 858059
fax. 059 - 850410



MOTOR $\phi 106$ WITH GEAR UNIT IMS PM 81
2 STAGE RATIO 1:46 (REV. 0 DEL 13/12/2011)

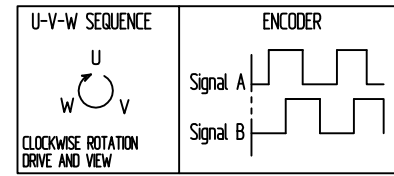
POTENZA POWER 400W	MOTOR VOLTAGE 48V	MOTOR CURRENT 16A	RPM 2750	SERVIZIO SERVICE S2 = 60'	SERVIZIO SERVICE S3 = 15%	CLASSE ISOL. H	NO VENTILATION	ECCITAZIONE AC100HZ	PESO WEIGHT 12KG
--------------------------	-------------------------	-------------------------	-------------	---------------------------------	---------------------------------	----------------------	-------------------	------------------------	------------------------

IP 54



1. Thermal sensor wire : UL1015 AWG 18
2. Encoder wire : UL2464 AWG 22

INCREMENTAL ENCODER		
N° PULSE REVOLUTION:		4
N° PIN:	DESCRIPTION:	COLOUR:
1	+VCC	YELLOW
2	GND	BROWN
3	SIGNAL A	WHITE
4	SIGNAL B	GREEN
5	SENSOR KTY 84-130	BLACK
6	SENSOR KTY 84-130	RED



Cod.: G104487U

Firm PROG. : PO M.