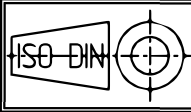
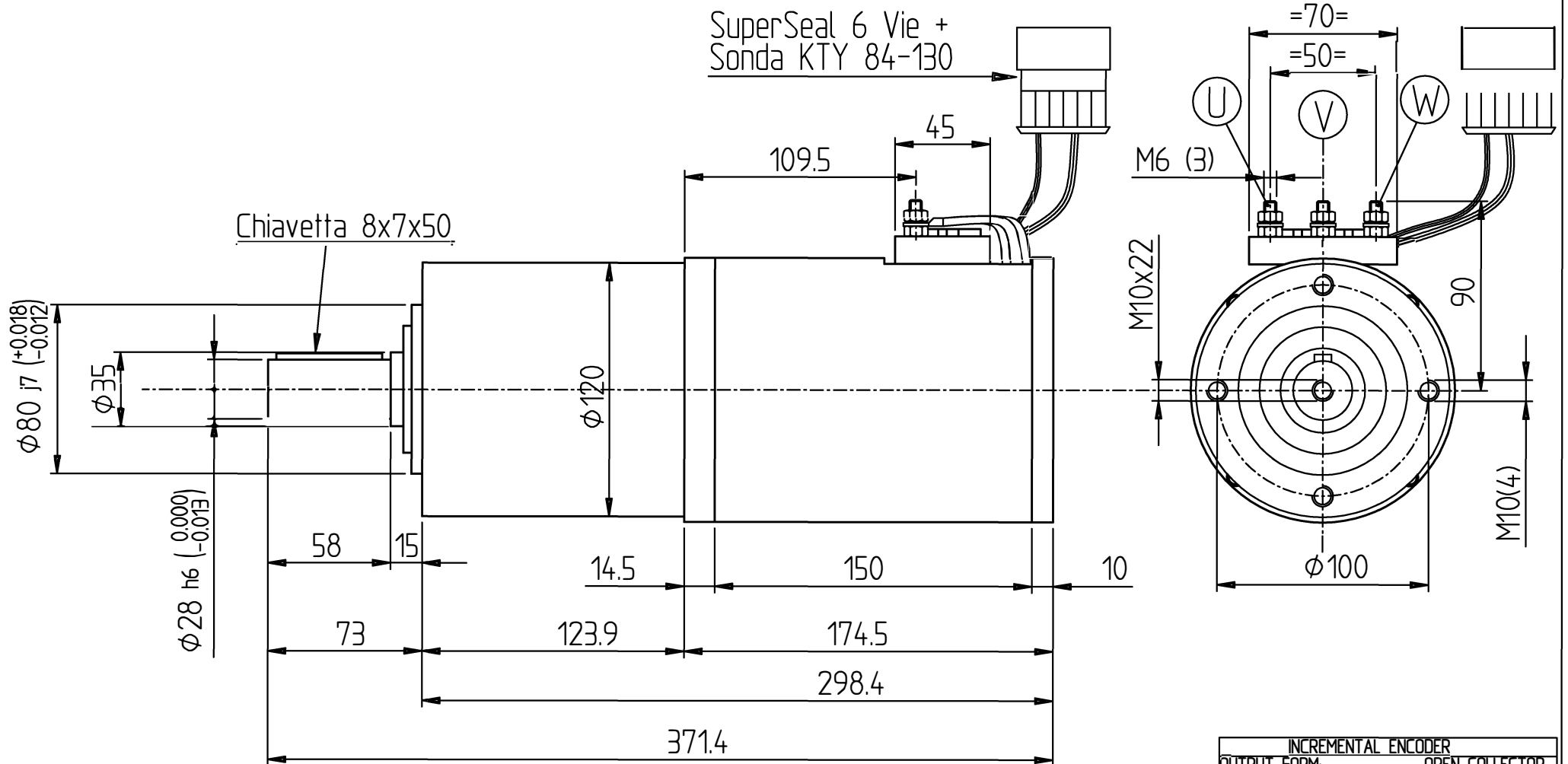


**BEST MOTOR**Tel. 059 - 858059
fax. 059 - 850410MOTORE-TRAZIONE $\phi 125$ CON FLANGIA PER
RIDUTTORE IMS P120/2 RAPP.: 1:46 (REV. 1 DEL 11/02/2010)

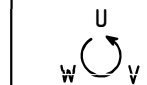
POTENZA POWER 600 W	TENSIONE VOLTAGE 24 V	CORRENTE CURRENT 35 A	RPM 2750	SERVIZIO SERVICE S2 = 50'	SERVIZIO SERVICE S3 = 60 %	CLASSE ISOL. F	SENZA VENTILAZIONE	ECCITAZIONE AC (100Hz)	PESO WEIGHT Kg 19
---------------------------	-----------------------------	-----------------------------	-------------	---------------------------------	----------------------------------	----------------------	-----------------------	---------------------------	-------------------------



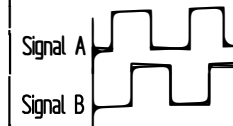
G106027A

Firma PRG.: P.M.

U-V-W SEQUENCE

ANTI-CLOCKWISE ROTATION
DRIVE AND VIEW

ENCODER



INCREMENTAL ENCODER		
OUTPUT FORM:	OPEN COLLECTOR	
POWER SUPPLY:	+5 / +24 VDC	
OUTPUT CURRENT	20 mA max.	
N° PULSE REVOLUTION:	32	
N°PIN:	DESCRIPTION:	COLOR:
1	+VCC	RED
2	GND	BLACK
3	SIGNAL A	WHITE(Green)
4	SIGNAL B	BLUE
5/6	KTY 84-130	