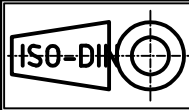


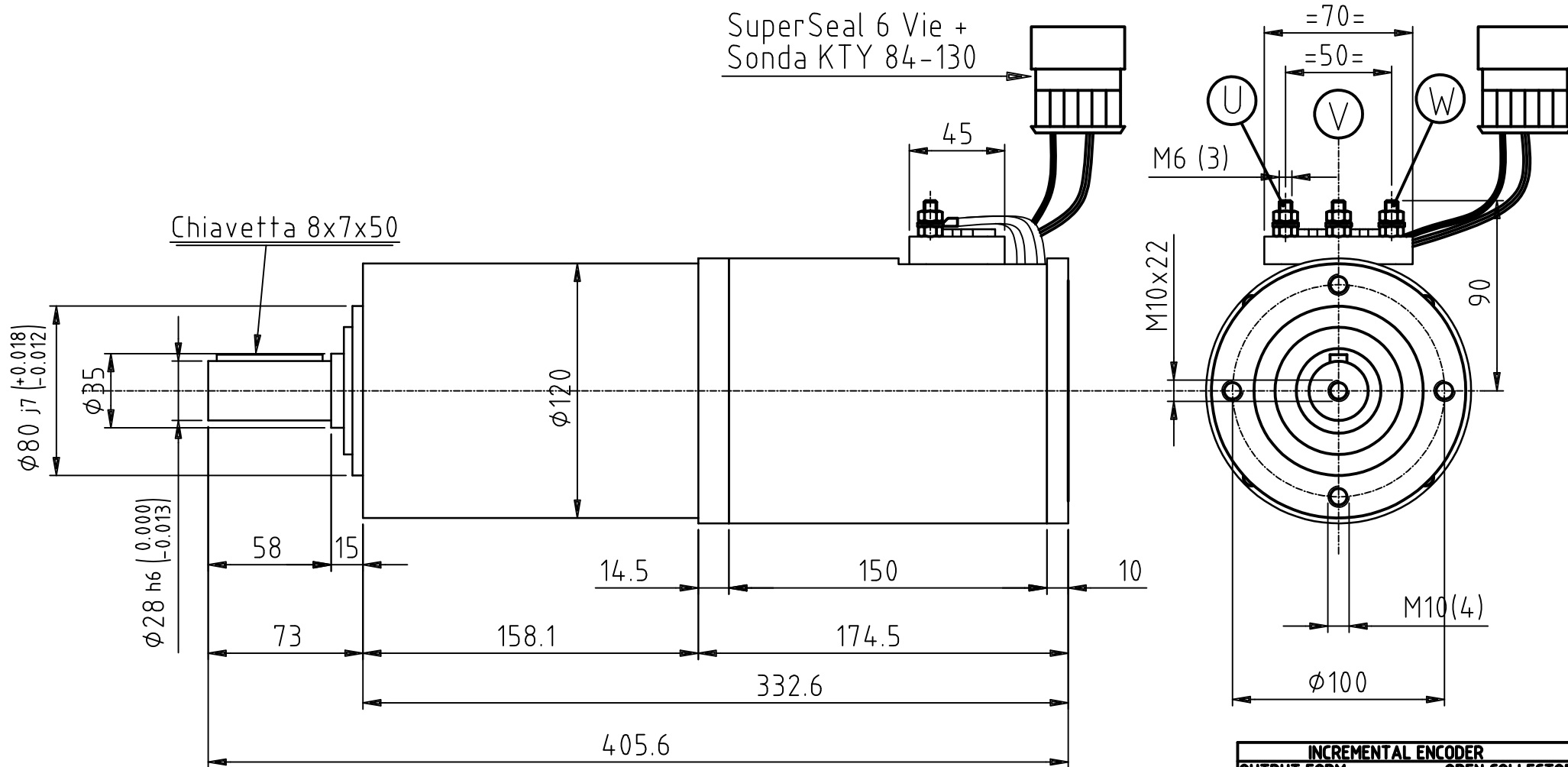


**BEST MOTOR**  
 Tel. 059 - 858059  
 fax. 059 - 850410



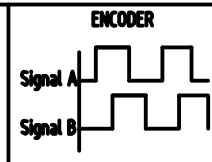
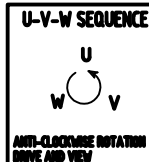
**MOTORE-TRAZIONE  $\phi 125$  CON  
 RIDUTTORE IMS P120/3 RAPP.: 1:51 (REV. 0 DEL 26/10/2009)**

POTENZA POWER <b>800 W</b>	TENSIONE VOLTAGE <b>80 V</b>	CORRENTE CURRENT <b>14 A</b>	RPM <b>2750</b>	SERVIZIO SERVICE S2 = <b>60'</b>	SERVIZIO SERVICE S3 = <b>70 %</b>	CLASSE ISOL. <b>F</b>	<b>SENZA VENTILAZIONE</b>	ECCITAZIONE <b>AC (95Hz)</b>	PESO WEIGHT <b>Kg 22</b>
----------------------------------	------------------------------------	------------------------------------	--------------------	--	---	-----------------------------	-------------------------------	---------------------------------	--------------------------------



**G108108A**

Firma PROG. : PO M.



INCREMENTAL ENCODER		
OUTPUT FORM:	OPEN COLLECTOR	
POWER SUPPLY:	+5 / +24 VDC	
OUTPUT CURRENT	20 mA max.	
N° PULSE REVOLUTION:	32	
N°PIN:	DESCRIPTION:	COLOUR:
1	+VCC	RED
2	SIGNAL A	BLACK
3	SIGNAL B	WHITE(Green)
4	GND	BLUE
5/6	KTY 84-130	