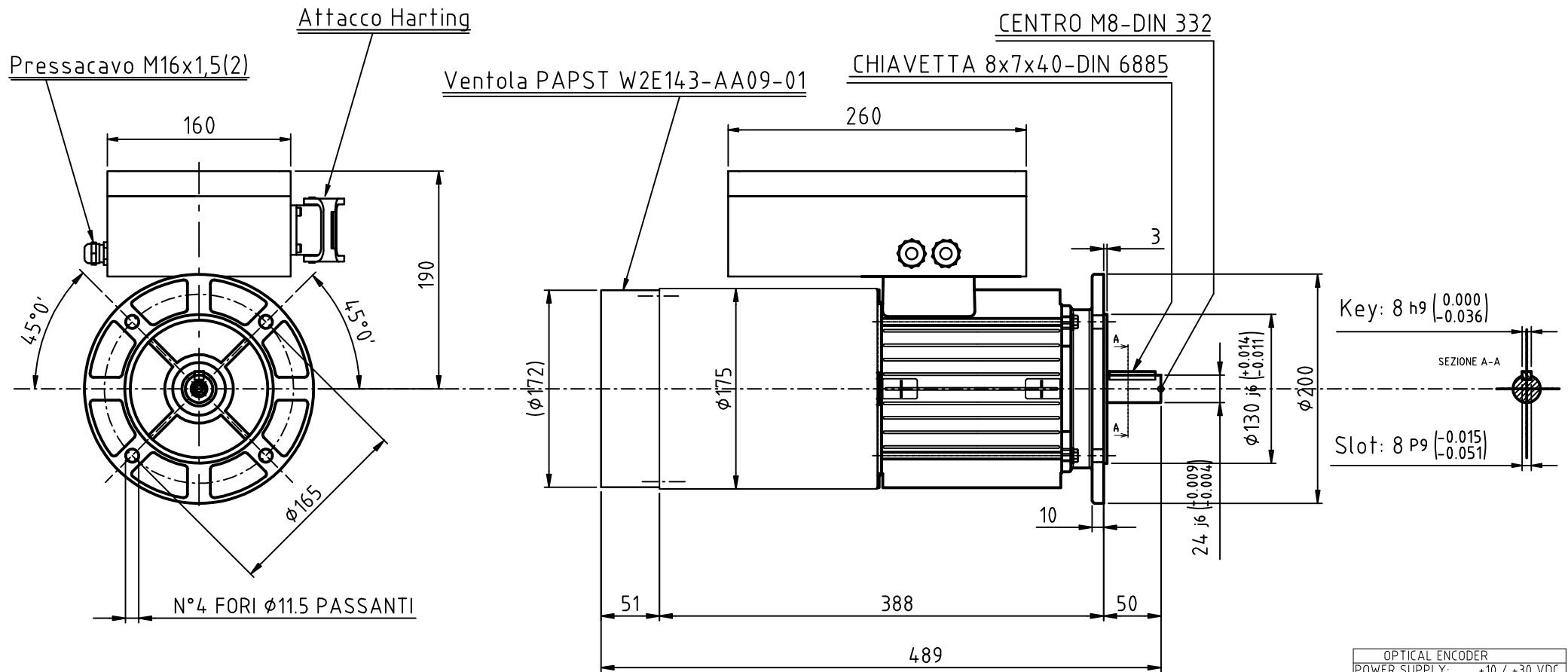




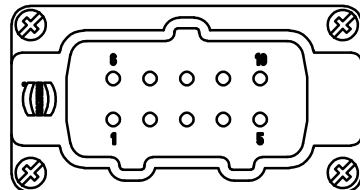
MOTORE TRAZIONE "IP 54/IP65"
CON VENTOLA ESTERNA (REV. 3 DEL 15/05/2017)

POTENZA POWER 1200 W	TENSIONE VOLTAGE 24VDC-16VAC	CORRENTE CURRENT 50 A	RPM 2890	SERVIZIO SERVICE S2 = 60'	SERVIZIO SERVICE S3 = 70 %	CLASSE ISOL. F	INDEX COOLING IC 416A	ECCITAZIONE AC (100HZ)	PESO WEIGHT Kg --
-----------------------------------	---	------------------------------------	--------------------	--	---	-----------------------------	---------------------------------	----------------------------------	--------------------------------

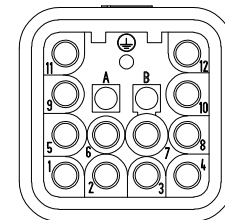


Firma PROG. : PO M.

Cod.: G1121800



- 1: Fan L1
- 2: Fan N
- 3: Brake +24 V
- 4: Brake 0 V
- 5: PT 100
- 6: PT 100
- 7: PT 100
- 8: PT 100
- 9: Free
- 10: Free



OPTICAL ENCODER		
POWER SUPPLY:		+10 / +30 VDC
OUTPUT CURRENT		100 mA max.
N°PIN:	DESCRIPTION:	COLOUR:
1	UIN	
2	GND	
3	TKT+	
4	DAT+	
5	RESET	
6	DAT-	
7	TKT-	
8	INKR B	
9	INKR A	
10	UIN	
11	-	
12	-	