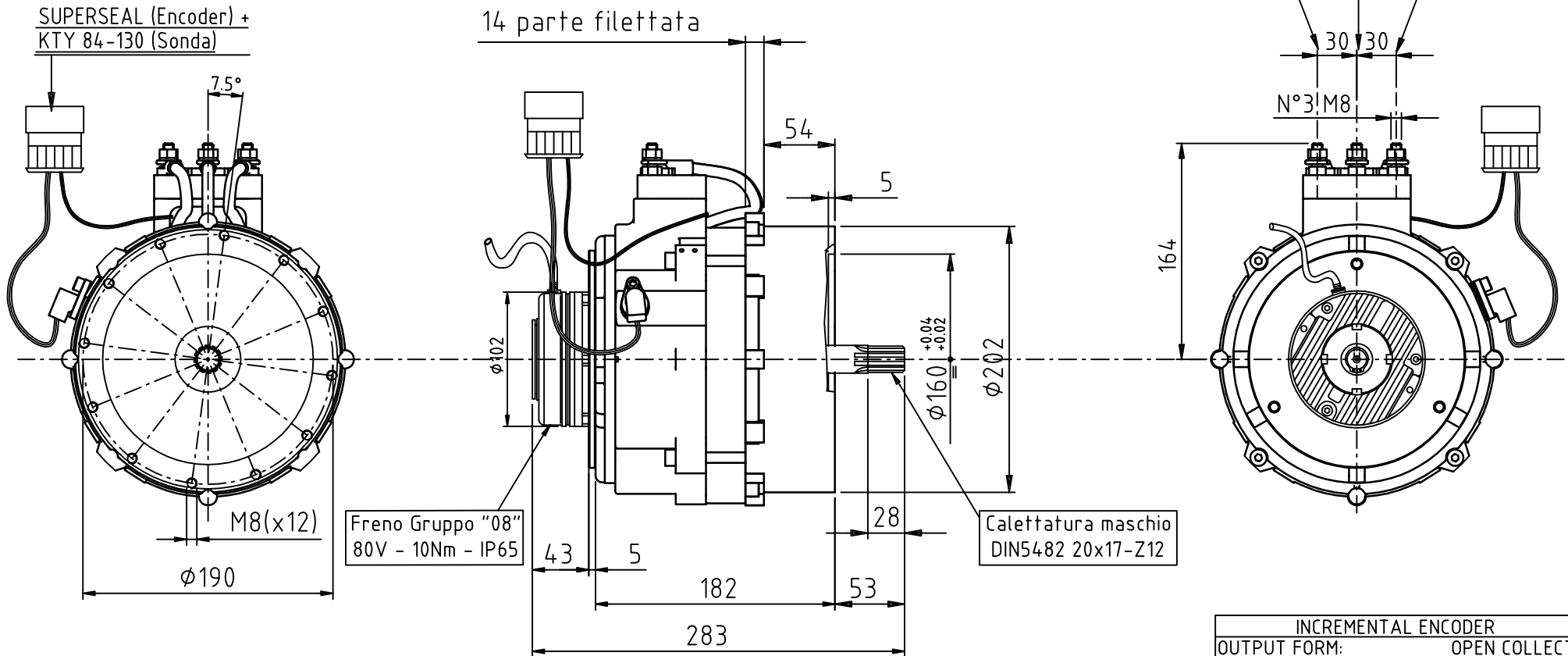
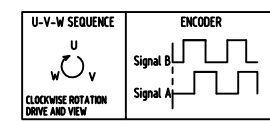


POTENZA POWER 2000	TENSIONE VOLTAGE 80 V	CORRENTE CURRENT 33 A	RPM 2850	SERVIZIO SERVICE S2 = 60'	SERVIZIO SERVICE S3 = 70 %	CLASSE ISOL. H	SENZA VENTILAZIONE	ECCITAZIONE FREQ. (100 Hz)	PESO WEIGHT Kg --
--------------------------	-----------------------------	-----------------------------	-------------	---------------------------------	----------------------------------	----------------------	-----------------------	-------------------------------	-------------------------



Cod.: G120803B

Firma PROG. : Po M.



INCREMENTAL ENCODER		
OUTPUT FORM:	OPEN COLLECTOR	
POWER SUPPLY:	+5 / +24 VDC	
OUTPUT CURRENT	20 mA max.	
N° PULSE REVOLUTION:	64	
N°PIN:	DESCRIPTION:	COLOUR:
1	+VCC	RED
2	GND	BLACK
3	SIGNAL A	WHITE(Green)
4	SIGNAL B	BLUE
5/6	KTY 84-130	