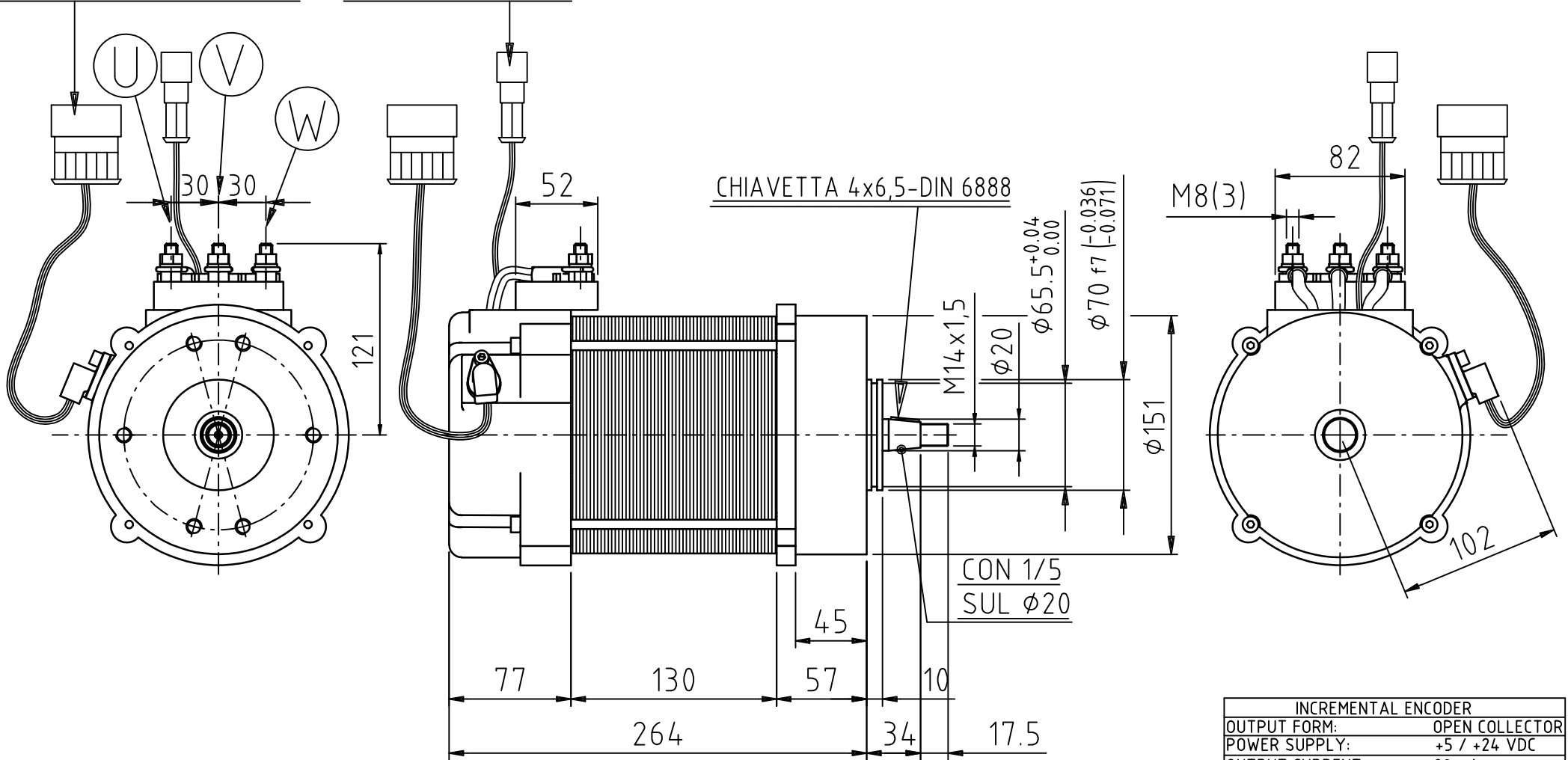


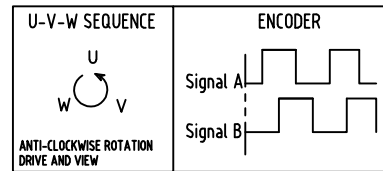
POTENZA POWER 3000	TENSIONE VOLTAGE 36 V	CORRENTE CURRENT 105 A	RPM 2950	SERVIZIO SERVICE S2 = 60'	SERVIZIO SERVICE S3 = 70 %	CLASSE ISOL. H	SENZA VENTILAZIONE	ECCITAZIONE AC (100HZ)	PESO WEIGHT Kg 27
--------------------------	-----------------------------	------------------------------	-------------	---------------------------------	----------------------------------	----------------------	-----------------------	---------------------------	-------------------------

SUPERSEAL-6vie(ENCODER)

Sonda KTY 84-130-2vie



INCREMENTAL ENCODER		
OUTPUT FORM:	OPEN COLLECTOR	
POWER SUPPLY:	+5 / +24 VDC	
OUTPUT CURRENT	20 mA max.	
N° PULSE REVOLUTION:	64	
N°PIN:	DESCRIPTION:	COLOUR:
1	+VCC	RED
2	GND	BLACK
3	SIGNAL A	WHITE(Green)
4	SIGNAL B	BLUE
5/6	NOT USED	/



Cod.: G1302300

Firma PROG. : Po M.