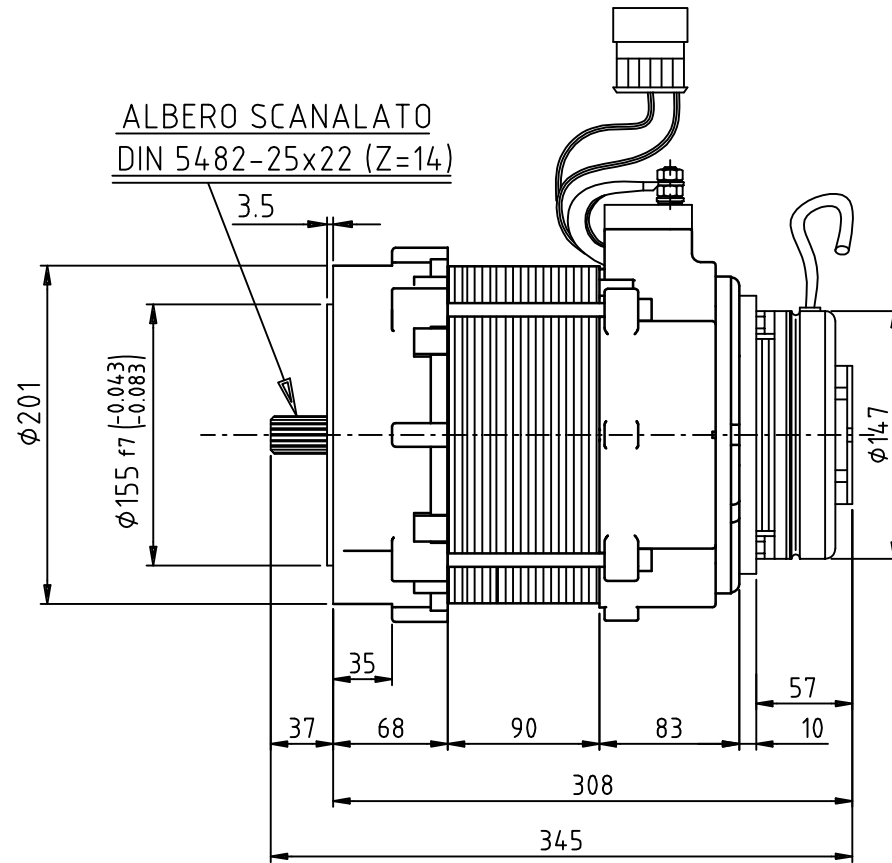
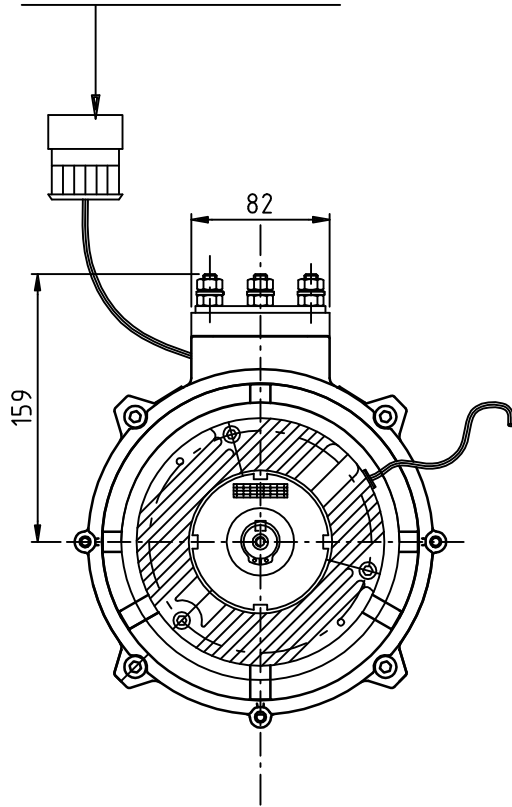
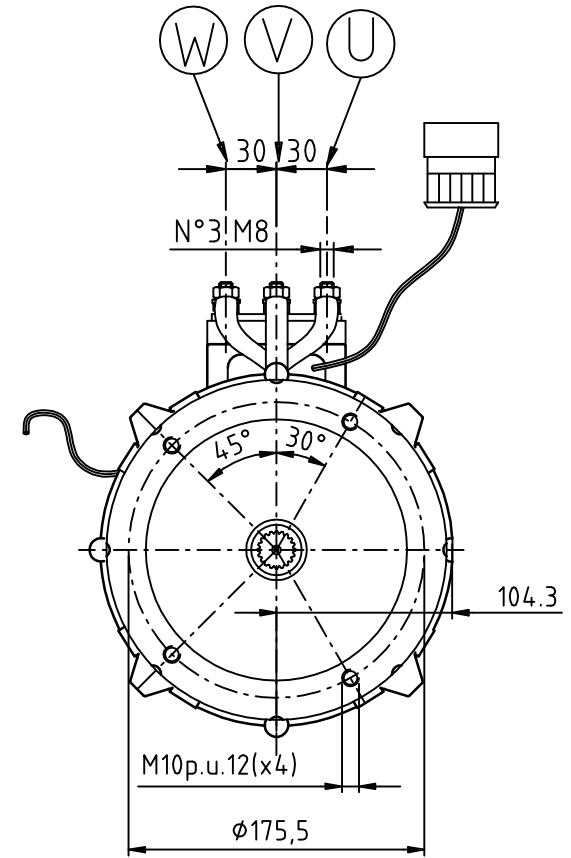


POTENZA POWER 3500	TENSIONE VOLTAGE 24 V	CORRENTE CURRENT 170 A	RPM 2350	SERVIZIO SERVICE S2 = 60'	SERVIZIO SERVICE S3 = 70 %	CLASSE ISOL. F	SENZA VENTILAZIONE	ECCITAZIONE FREQ. (80 Hz)	PESO WEIGHT Kg 40
--------------------------	-----------------------------	------------------------------	-------------	---------------------------------	----------------------------------	----------------------	-----------------------	------------------------------	-------------------------

SUPERSEAL-6vie(ENCODER)  
SONDA KTY 84-130

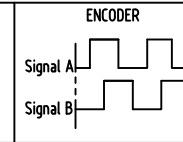
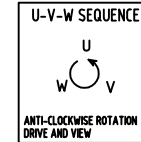


ALBERO SCANALATO  
DIN 5482-25x22 (Z=14)



G1355134

Firma PROG. : Po M.



INCREMENTAL ENCODER		
OUTPUT FORM:	OPEN COLLECTOR	
POWER SUPPLY:	+5 / +24 VDC	
OUTPUT CURRENT	20 mA max.	
N° PULSE REVOLUTION:	64	
N°PIN:	DESCRIPTION:	COLOUR:
1	+VCC	RED
2	GND	BLACK
3	SIGNAL A	WHITE(Green)
4	SIGNAL B	BLUE
5/6	KTY 84-130	