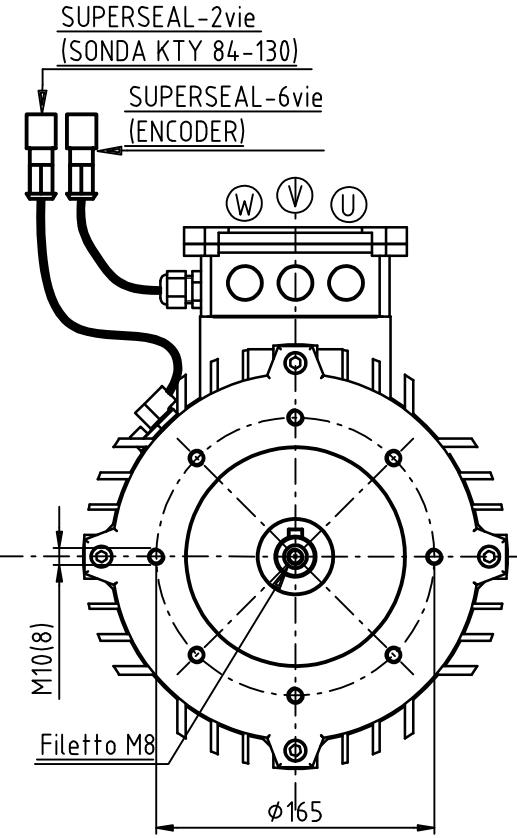
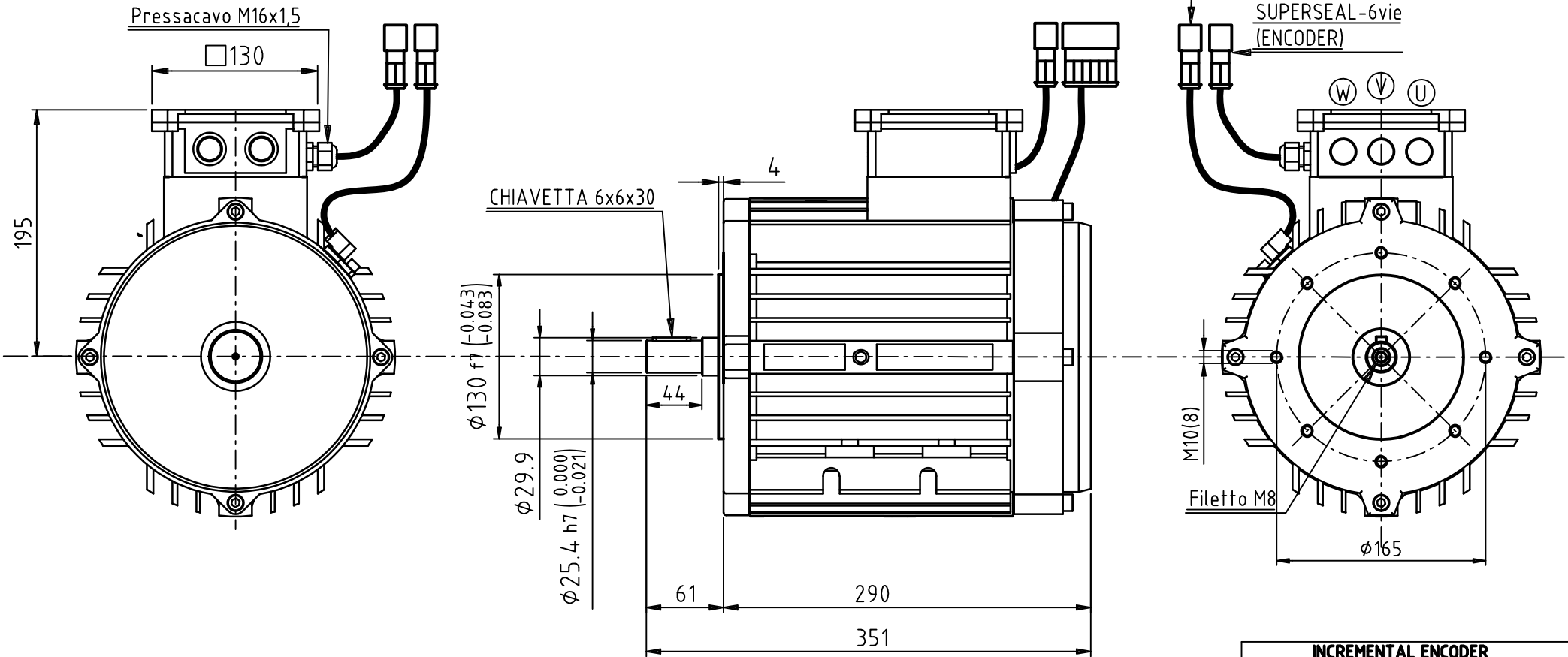


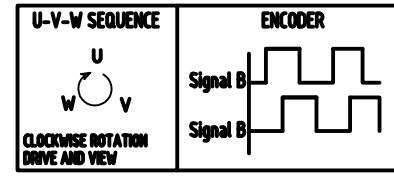
POTENZA POWER 5 kW	TENSIONE VOLTAGE 96VDC-65VAC	CORRENTE CURRENT 56 A	RPM 3100	SERVIZIO SERVICE S2 = --'	SERVIZIO SERVICE S3 = -- %	CLASSE ISOL. F	INDEX COOLING IC 410	ECCITAZIONE FREQ. (105 Hz)	PESO WEIGHT Kg 50,3
---------------------------------	---	------------------------------------	--------------------	---------------------------------	----------------------------------	-----------------------------	--------------------------------	--------------------------------------	----------------------------------

===== S1 =====



Cod. G1511400

Firma PROG. : Po M.



INCREMENTAL ENCODER		
OUTPUT FORM:	OPEN COLLECTOR	
POWER SUPPLY:	+5 / +24 VDC	
OUTPUT CURRENT	20 mA max.	
N° PULSE REVOLUTION:	64	
N°PIN:	DESCRIPTION:	COLOUR:
1	+VCC	RED
2	GND	BLACK
3	SIGNAL A	WHITE(Green)
4	SIGNAL B	BLUE
5/6	NOT USED	