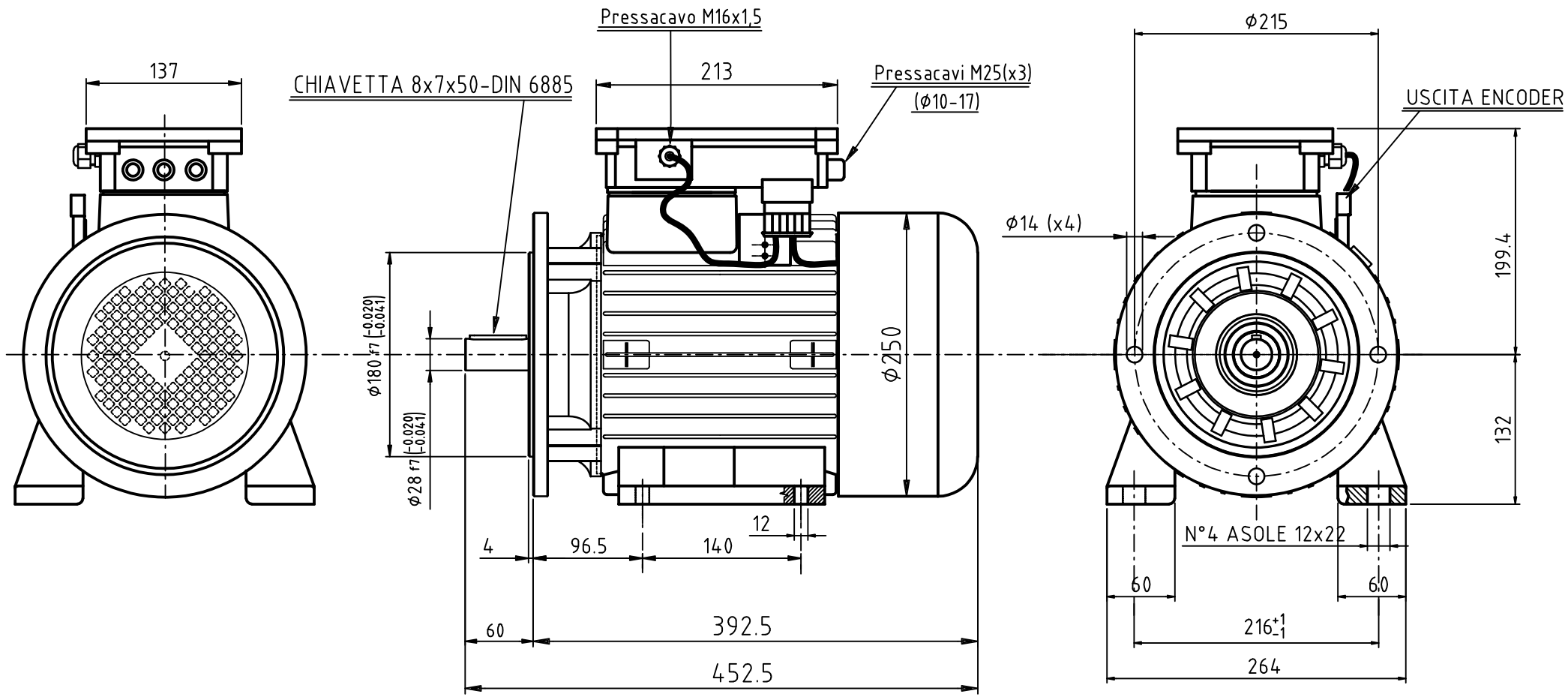
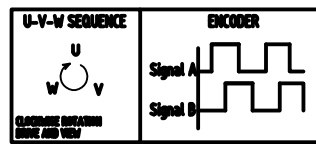


POTENZA POWER <b>6 kW</b>	TENSIONE VOLTAGE <b>80VDC-54VAC</b>	CORRENTE CURRENT <b>90 A</b>	RPM <b>1750</b>	SERVIZIO SERVICE <b>S2 = 60'</b>	SERVIZIO SERVICE <b>S3 = 70 %</b>	CLASSE ISOL. <b>F</b>	INDEX COOLING <b>IC 411</b>	ECCITAZIONE <b>FREQ. 60Hz.</b>	PESO WEIGHT <b>Kg --</b>
---------------------------------	---	------------------------------------	--------------------	--	---	-----------------------------	--------------------------------	-----------------------------------	--------------------------------



Cod.:G1605506

Firma PROG. : Po M.



INCREMENTAL ENCODER		
OUTPUT FORM:	OPEN COLLECTOR	
POWER SUPPLY:	+5 / +24 VDC	
OUTPUT CURRENT	20 mA max.	
N° PULSE REVOLUTION:	64	
N°PIN:	DESCRIPTION:	COLOUR:
1	+VCC	RED
2	GND	BLACK
3	SIGNAL A	WHITE(Green)
4	SIGNAL B	BLUE
5/6	KTY 84 - 130	