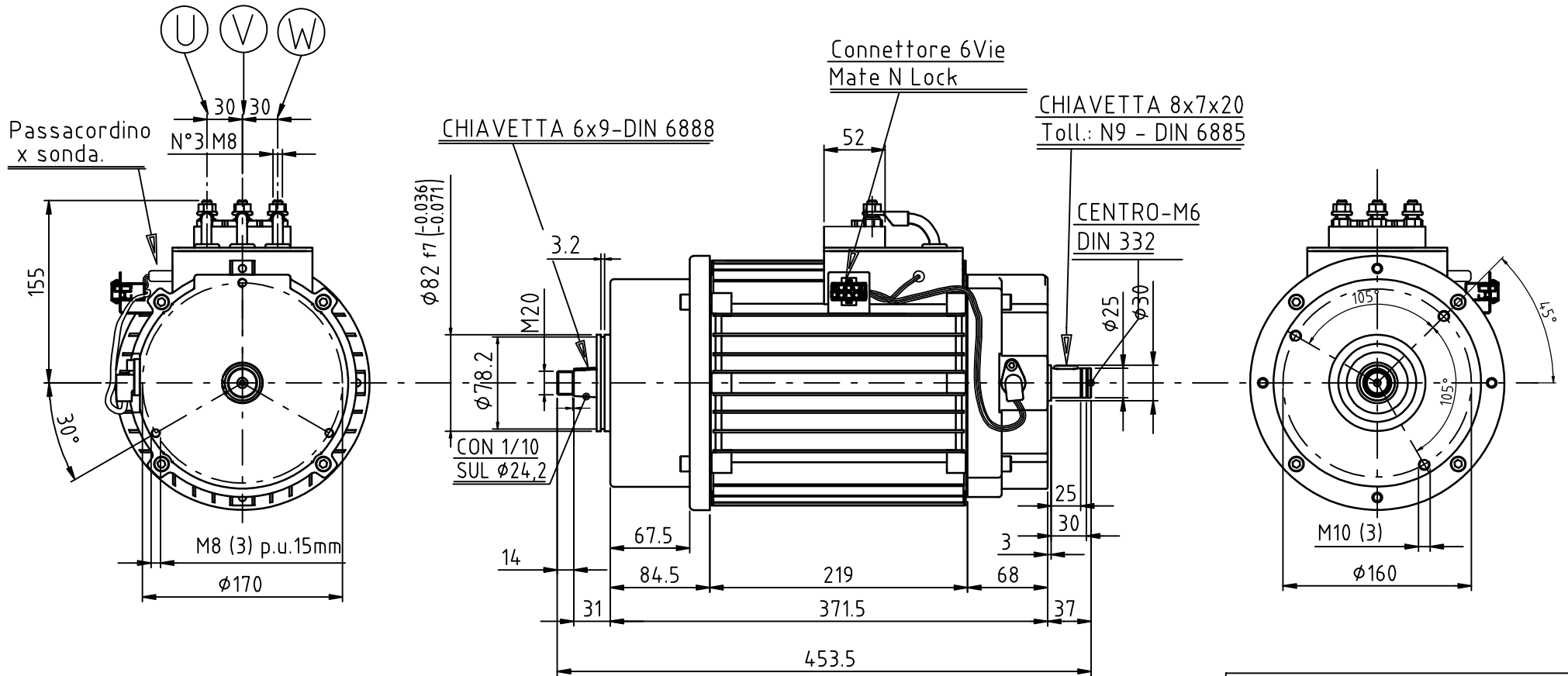
**BEST MOTOR**Tel. 059 - 858059
fax. 059 - 850410MOTORE-TRAZIONE $\phi 194$

(REV. 0 DEL 28/10/2008)

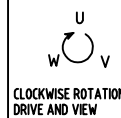


POTENZA POWER 7000 W	TENSIONE VOLTAGE 80 V	CORRENTE CURRENT -- A	RPM 2160	SERVIZIO SERVICE S2 = 60'	SERVIZIO SERVICE S3 = 70 %	CLASSE ISOL. H	VENTILAZIONE NESSUNA	ECCITAZIONE FREQ. (-- Hz)	PESO WEIGHT Kg 50
----------------------------	-----------------------------	-----------------------------	-------------	---------------------------------	----------------------------------	----------------------	-------------------------	------------------------------	-------------------------

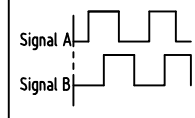


INCREMENTAL ENCODER		
OUTPUT FORM:		OPEN COLLECTOR
POWER SUPPLY:		+5 / +24 VDC
OUTPUT CURRENT		20 mA max.
N° PULSE REVOLUTION:		64
N°PIN:	DESCRIPTION:	COLOUR:
1	+VCC	RED
2	SIGNAL B	BLUE
3	SIGNAL A	WHITE(Green)
4	GND	BLACK
5	POS. SONDA	RED SONDA
6	NEG. SONDA	BLACK SONDA

U-V-W SEQUENCE



ENCODER



Cod.: G1701800

Firma PROG.: Po M.