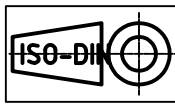


BEST MOTOR

Tel. 059 - 858059
fax. 059 - 850410

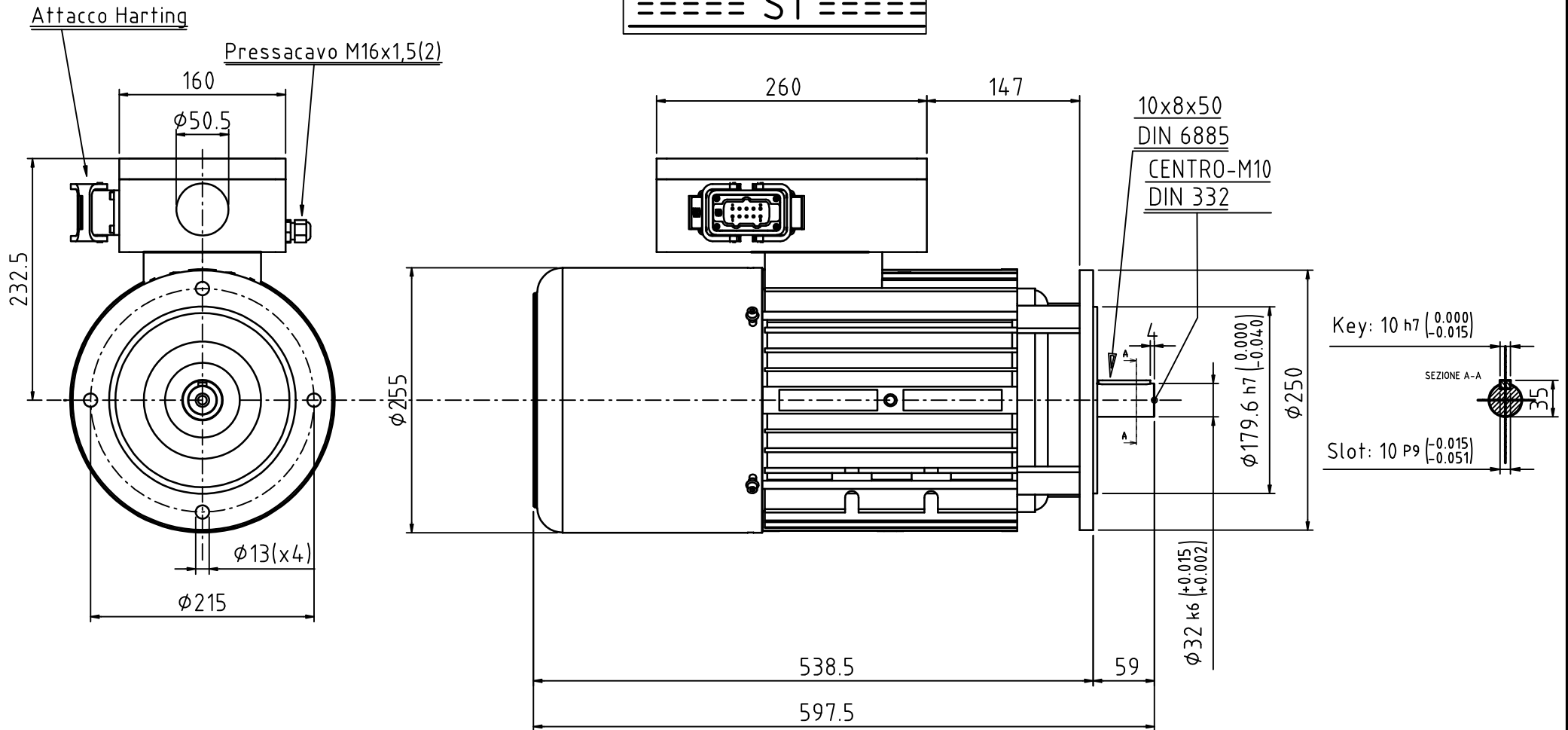


MOTORE-TRAZIONE IP54/65
BRAKE MAYR M100 - 125 Nm(REV. 0 DEL 23/01/2017)



POTENZA POWER 7,5 kW	TENSIONE VOLTAGE 90VDC-60VAC	CORRENTE CURRENT 90 A	RPM 1680	SERVIZIO SERVICE S2 = --'	SERVIZIO SERVICE S3 = -- %	CLASSE ISOL. F	INDEX COOLING IC 416	ECCITAZIONE AC (58Hz)	PESO WEIGHT Kg --
-----------------------------------	---	------------------------------------	--------------------	---------------------------------	----------------------------------	-----------------------------	--------------------------------	---------------------------------	--------------------------------

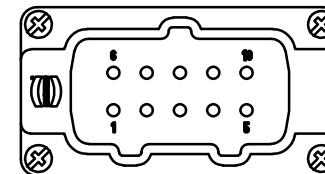
==== S1 =====



COLORE NERO RAL 9005

Cod.: G1709300P

Firma PROG. : Po M.



- | | |
|----------------|-----------|
| 1: Fan L1 | 6: PT 100 |
| 2: Fan N | 7: PT 100 |
| 3: Brake +24 V | 8: PT 100 |
| 4: Brake 0 V | 9: Free |
| 5: PT 100 | 10: Free |