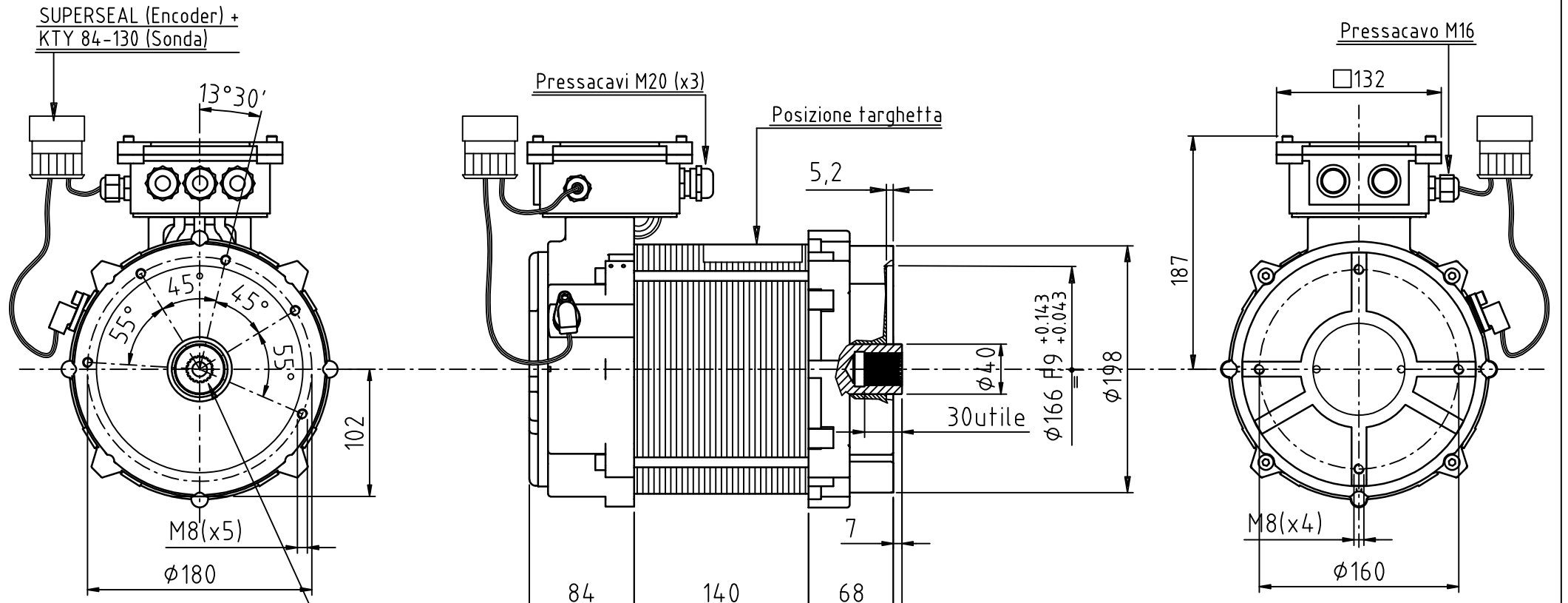


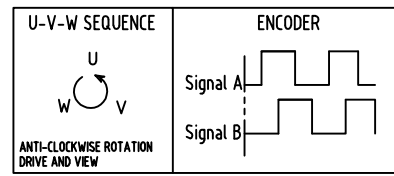
POTENZA POWER 9000	TENSIONE VOLTAGE 80 V	CORRENTE CURRENT 145 A	RPM 3500	SERVIZIO SERVICE S2 = 60'	SERVIZIO SERVICE S3 = 70 %	CLASSE ISOL. H	SENZA VENTILAZIONE	ECCITAZIONE FREQ. (145 Hz)	PESO WEIGHT Kg 45 c.a
--------------------------	-----------------------------	------------------------------	-------------	---------------------------------	----------------------------------	----------------------	-----------------------	-------------------------------	-----------------------------



Splain details:
N° Of teeth : 24
Pressure angle : 30°
Pitch : 24/48
Pitch dia. : 24 mm
Major dia. : 25,74 mm
Form dia. : 25,20 mm
Minor dia. : 23,09 mm

Cod. G1901500

Firma PROG. : Po M.



INCREMENTAL ENCODER		
OUTPUT FORM:	OPEN COLLECTOR	
POWER SUPPLY:	+5 / +24 VDC	
OUTPUT CURRENT	20 mA max.	
N° PULSE REVOLUTION:	64	
N°PIN:	DESCRIPTION:	COLOUR:
1	+VCC	RED
2	GND	BLACK
3	SIGNAL A	WHITE(Green)
4	SIGNAL B	BLUE
5/6	KTY 84-130	