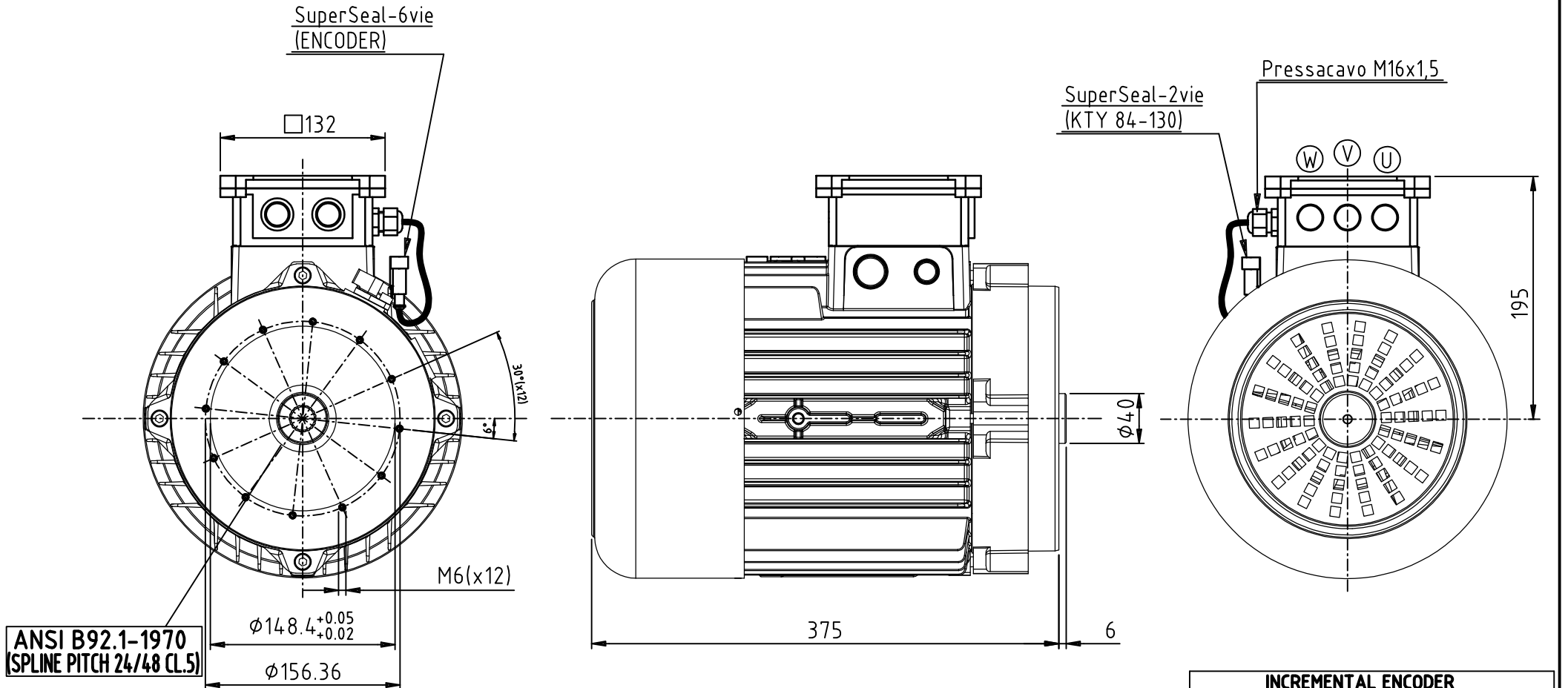


POTENZA POWER 9 kW	TENSIONE VOLTAGE 96VDC-65VAC	CORRENTE CURRENT 120 A	RPM 3500	SERVIZIO SERVICE S2 = 60'	SERVIZIO SERVICE S3 = 70 %	CLASSE ISOL. F	INDEX COOLING IC 411	ECCITAZIONE AC (118 Hz)	PESO WEIGHT Kg --
--------------------------	------------------------------------	------------------------------	-------------	---------------------------------	----------------------------------	----------------------	-------------------------	----------------------------	-------------------------



ANSI B92.1-1970  
(SPLINE PITCH 24/48 CL.5)

INCREMENTAL ENCODER		
OUTPUT FORM:	OPEN COLLECTOR	
POWER SUPPLY:	+5 / +24 VDC	
OUTPUT CURRENT	20 mA max.	
N° PULSE REVOLUTION:	64	
N°PIN:	DESCRIPTION:	COLOUR:
1	+VCC	RED
2	GND	BLACK
3	SIGNAL A	WHITE(Green)
4	SIGNAL B	BLUE
5/6	NOT USED	/

Cod.:G1901700

Firma PROG. : Po M.

