



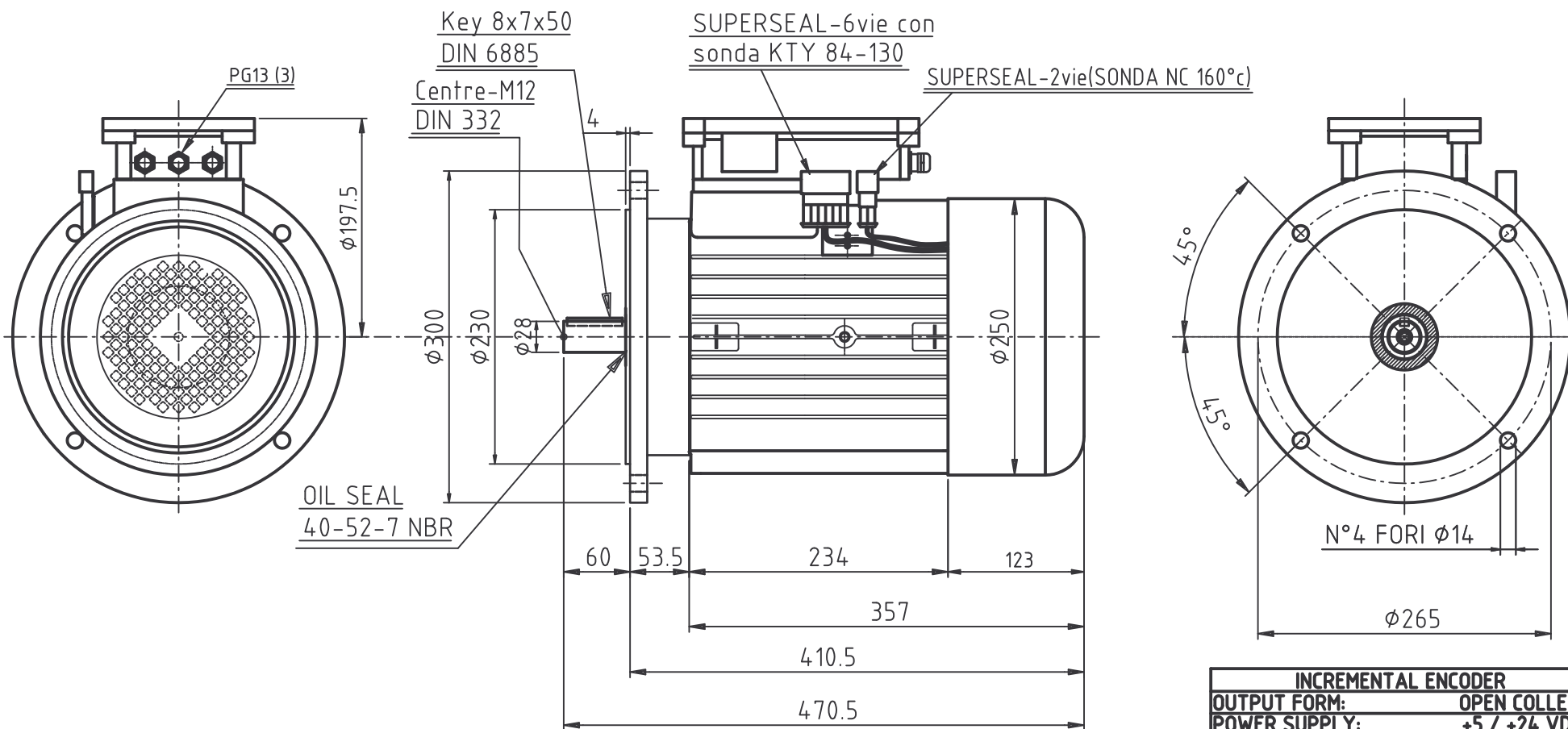
**BEST MOTOR**  
Tel. 059 - 858059  
fax. 059 - 850410



**MOTORE TRAZIONE**  
(REV. 0 DEL 02/09/2008)



POTENZA POWER 12000 W	TENSIONE VOLTAGE 80 V	CORRENTE CURRENT 180 A	RPM 2000	SERVIZIO SERVICE S2 = 60'	SERVIZIO SERVICE S3 = 70 %	CLASSE ISOL. H	VENTILATO INTERNO	ECCITAZIONE AC (3 M)	PESO WEIGHT Kg --
-----------------------------	-----------------------------	------------------------------	-------------	---------------------------------	----------------------------------	----------------------	----------------------	-------------------------	-------------------------



Cod. G1C01300

Firma PROG. : Po M.

INCREMENTAL ENCODER		
OUTPUT FORM:	OPEN COLLECTOR	
POWER SUPPLY:	+5 / +24 VDC	
OUTPUT CURRENT	20 mA max.	
N° PULSE REVOLUTION:	80	
N°PIN:	DESCRIPTION:	COLOUR:
1	+VCC	RED
2	SIGNAL A	BLACK
3	SIGNAL B	WHITE(Green)
4	GND	BLUE
5/6	KTY 84-130	

**G1C01300**