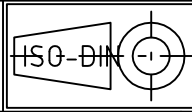


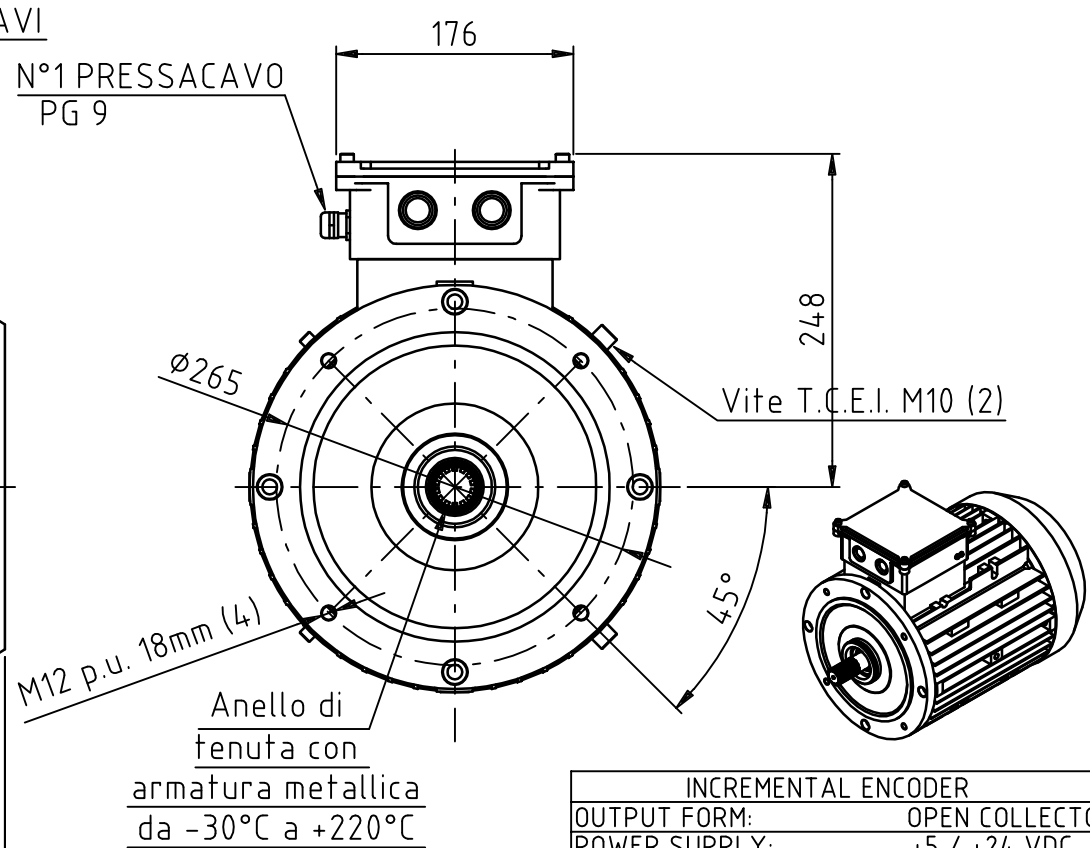
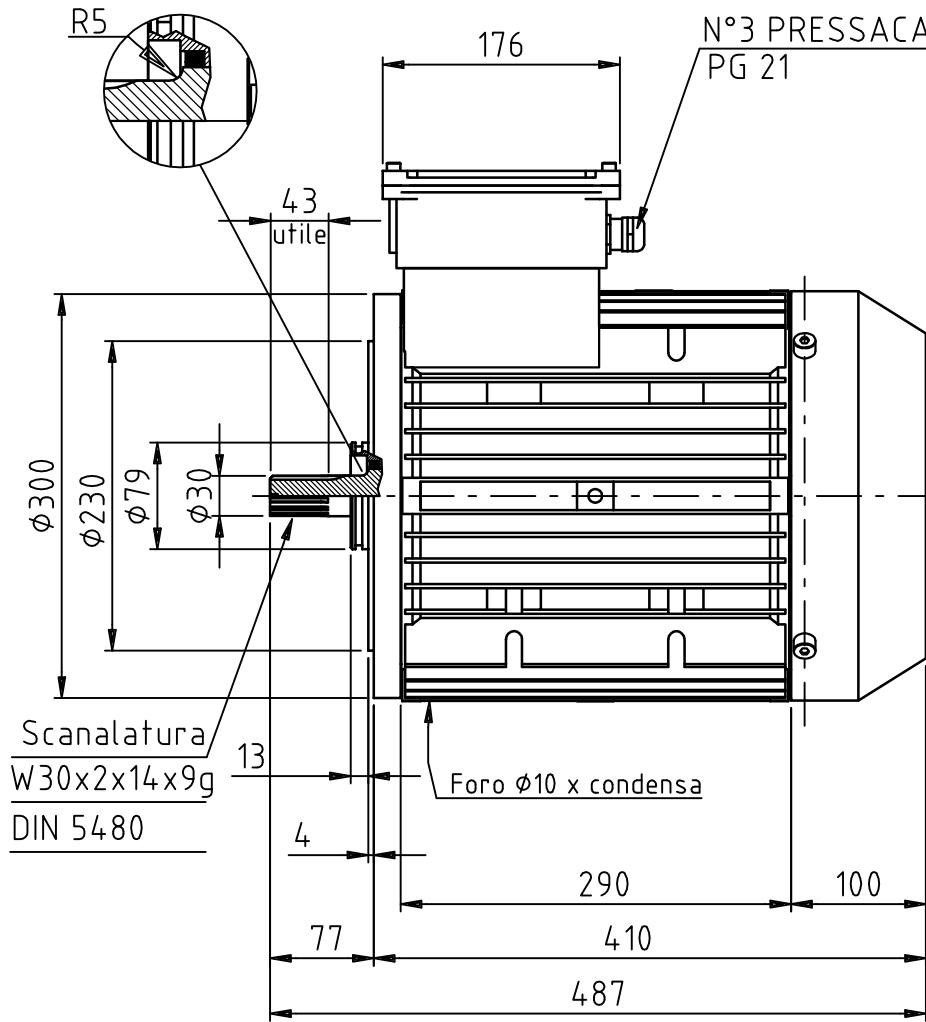
**BEST MOTOR**Tel. 059 - 858059
fax. 059 - 850410

MOTORE - TRAZIONE CON ENCODER E SONDA TERMICA

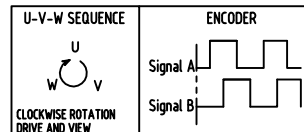
IP 54 (REV. 3 DEL 09/03/2012)



POTENZA POWER 14000 W	TENSIONE VOLTAGE 80 V	CORRENTE CURRENT 200 A	RPM 1900 RPM	SERVIZIO SERVICE S2 = 60'	SERVIZIO SERVICE S3 = 70%	CLASSE ISOL. F	VENTILAZIONE INTERNA	ECCITAZIONE AC (90Hz)	PESO WEIGHT Kg 90
-----------------------------	-----------------------------	------------------------------	-----------------	---------------------------------	---------------------------------	----------------------	-------------------------	--------------------------	-------------------------



INCREMENTAL ENCODER		
OUTPUT FORM:	OPEN COLLECTOR	
POWER SUPPLY:	+5 / +24 VDC	
OUTPUT CURRENT	20 mA max.	
N° PULSE REVOLUTION:	64	
N°PIN:	DESCRIPTION:	COLOUR:
1	+VCC	RED
2	GND	BLACK
3	SIGNAL A	WHITE(Green)
4	SIGNAL B	BLUE
5	THERMAL PROBE NC 160°C	
6	THERMAL PROBE NC 160°C	



Cod. G1E00400

Firma PROG. Po M.

G1E00400