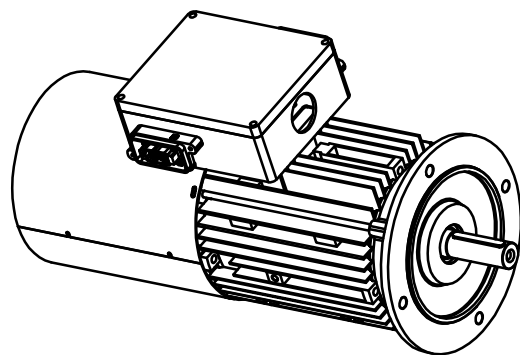
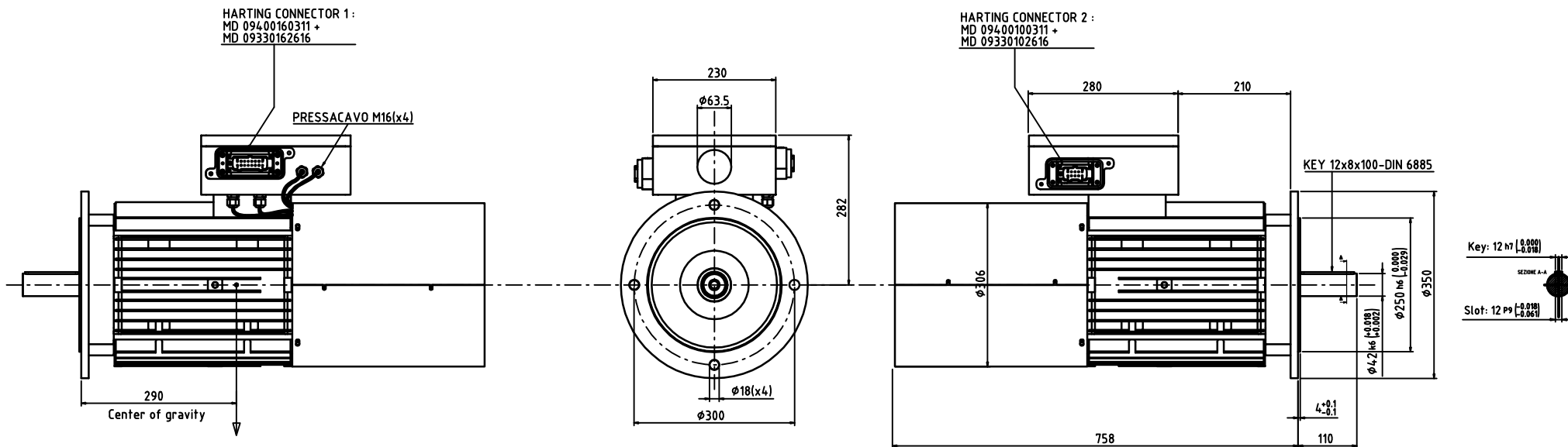
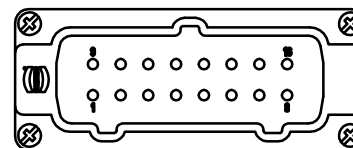


POTENZA POWER <b>16 KW</b>	TENSIONE VOLTAGE <b>115VDC-80VAC</b>	CORRENTE CURRENT <b>170 A</b>	RPM <b>1900</b>	SERVIZIO SERVICE S2 = <b>60'</b>	SERVIZIO SERVICE S3 = <b>70 %</b>	CLASSE ISOL. <b>F</b>	INDEX COOLING <b>IC 416A</b>	ECCITAZIONE <b>AC (100Hz)</b>	PESO WEIGHT <b>Kg 182 c.a</b>
----------------------------------	--	-------------------------------------	--------------------	--	---	-----------------------------	---------------------------------	----------------------------------	-------------------------------------

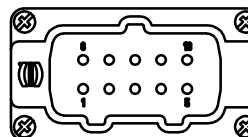


HARTING CONNECTOR 1 :



- |                 |            |
|-----------------|------------|
| 1: +VCC (1)     | 9: PT100   |
| 2: GND(1)       | 10: PT 100 |
| 3: Signal A (1) | 11: Free   |
| 4: Signal B (1) | 12: Free   |
| 5: +VCC (2)     | 13: Free   |
| 6: GND (2)      | 14: Free   |
| 7: Signal A (2) | 15: Free   |
| 8: Signal B (2) | 16: Free   |

HARTING CONNECTOR 2 :



- |                |             |
|----------------|-------------|
| 1: Fan L1      | 6: PT 100   |
| 2: Fan N       | 7: KTY (1)  |
| 3: Brake +24 V | 8: KTY (1)  |
| 4: Brake 0 V   | 9: KTY (2)  |
| 5: PT 100      | 10: KTY (2) |

Cod.: G1G00300

Firma PROG. : Po M.

