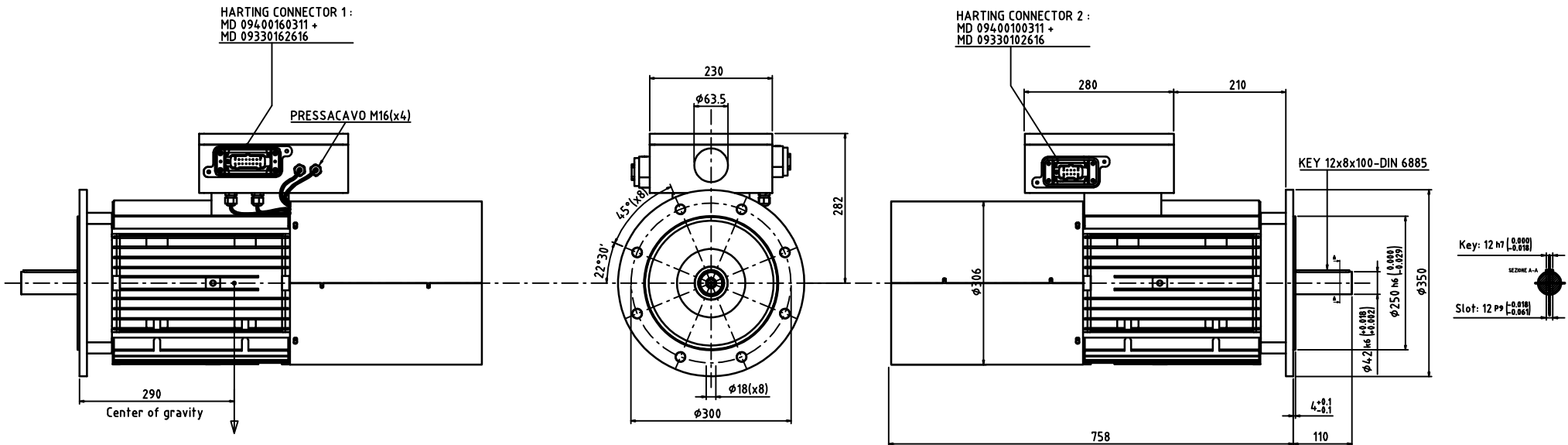
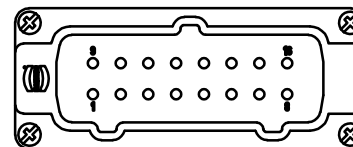


POTENZA POWER 16 KW	TENSIONE VOLTAGE 110 V	CORRENTE CURRENT 170 A	RPM 1900	SERVIZIO SERVICE S2 = 60'	SERVIZIO SERVICE S3 = 70 %	CLASSE ISOL. F	VENTILAZIONE ESTERNA	ECCITAZIONE AC (100Hz)	PESO WEIGHT Kg 182 c.a
----------------------------------	-------------------------------------	-------------------------------------	--------------------	----------------------------------------	-----------------------------------------	-----------------------------	--------------------------------	----------------------------------	-------------------------------------

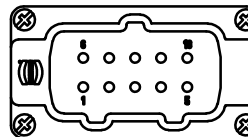


HARTING CONNECTOR 1 :



- | | |
|-----------------|------------|
| 1: +VCC (1) | 9: PT100 |
| 2: GND(1) | 10: PT 100 |
| 3: Signal A (1) | 11: Free |
| 4: Signal B (1) | 12: Free |
| 5: +VCC (2) | 13: Free |
| 6: GND (2) | 14: Free |
| 7: Signal A (2) | 15: Free |
| 8: Signal B (2) | 16: Free |

HARTING CONNECTOR 2 :



- | | |
|----------------|-------------|
| 1: Fan L1 | 6: PT 100 |
| 2: Fan N | 7: KTY (1) |
| 3: Brake +24 V | 8: KTY (1) |
| 4: Brake 0 V | 9: KTY (2) |
| 5: PT 100 | 10: KTY (2) |

Color: RAL 9005 + C5M

Cod.: G1G01200

Firma PROG. : Po M.

