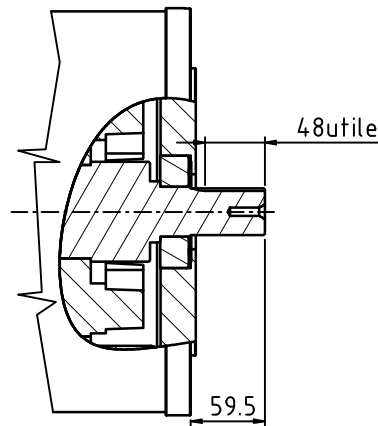
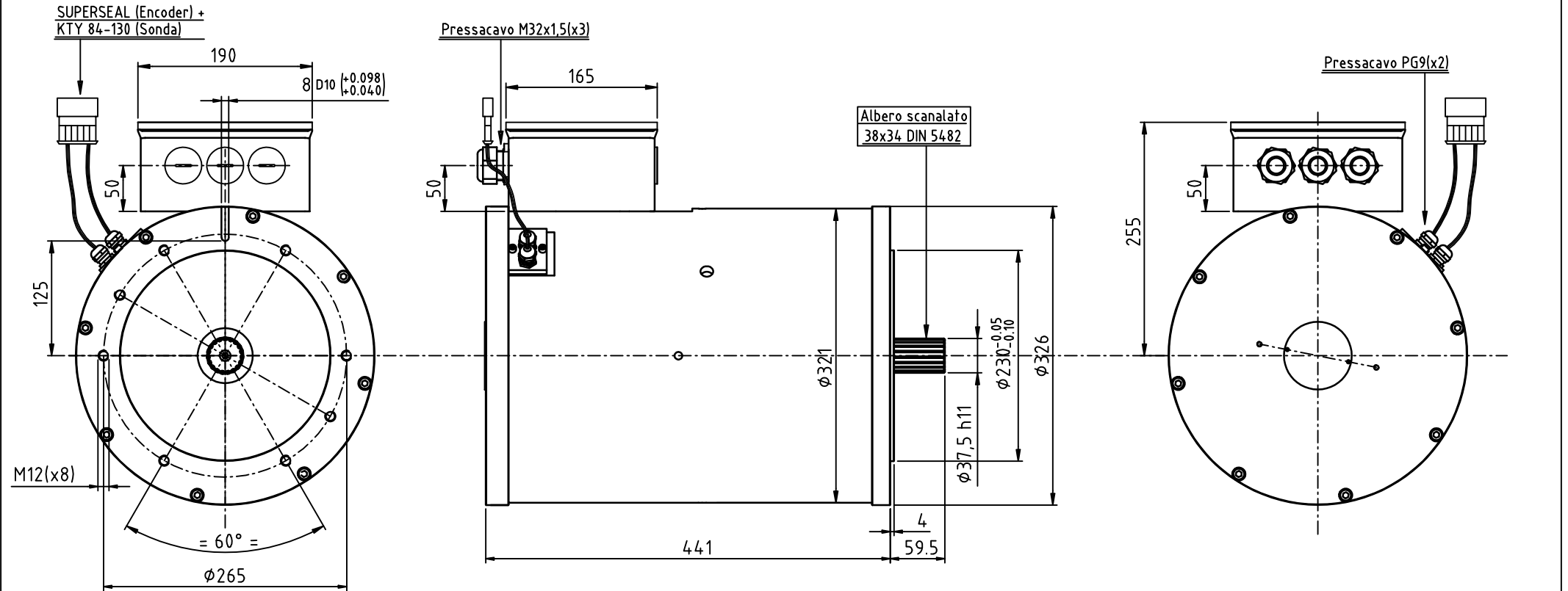
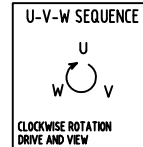


POTENZA POWER 20 kW	TENSIONE VOLTAGE 120VDC-84VAC	CORRENTE CURRENT 170 A	RPM 1770	SERVIZIO SERVICE S2 = 60'	SERVIZIO SERVICE S3 = 70 %	CLASSE ISOL. H	INDEX COOLING IC 410	ECCITAZIONE FREQ. (90 Hz)	PESO WEIGHT Kg 215
---------------------------	-------------------------------------	------------------------------	-------------	---------------------------------	----------------------------------	----------------------	-------------------------	------------------------------	--------------------------



Cod.: G1L02300

Firma PROG.: Po M.



INCREMENTAL ENCODER		
OUTPUT FORM:		OPEN COLLECTOR
POWER SUPPLY:		+5 / +24 VDC
OUTPUT CURRENT		20 mA max.
N° PULSE REVOLUTION:		64
N°PIN:	DESCRIPTION:	COLOUR:
/	+VCC	RED
/	GND	BLACK
/	SIGNAL A	WHITE(Green)
/	SIGNAL B	BLUE
/	KTY 84-130	