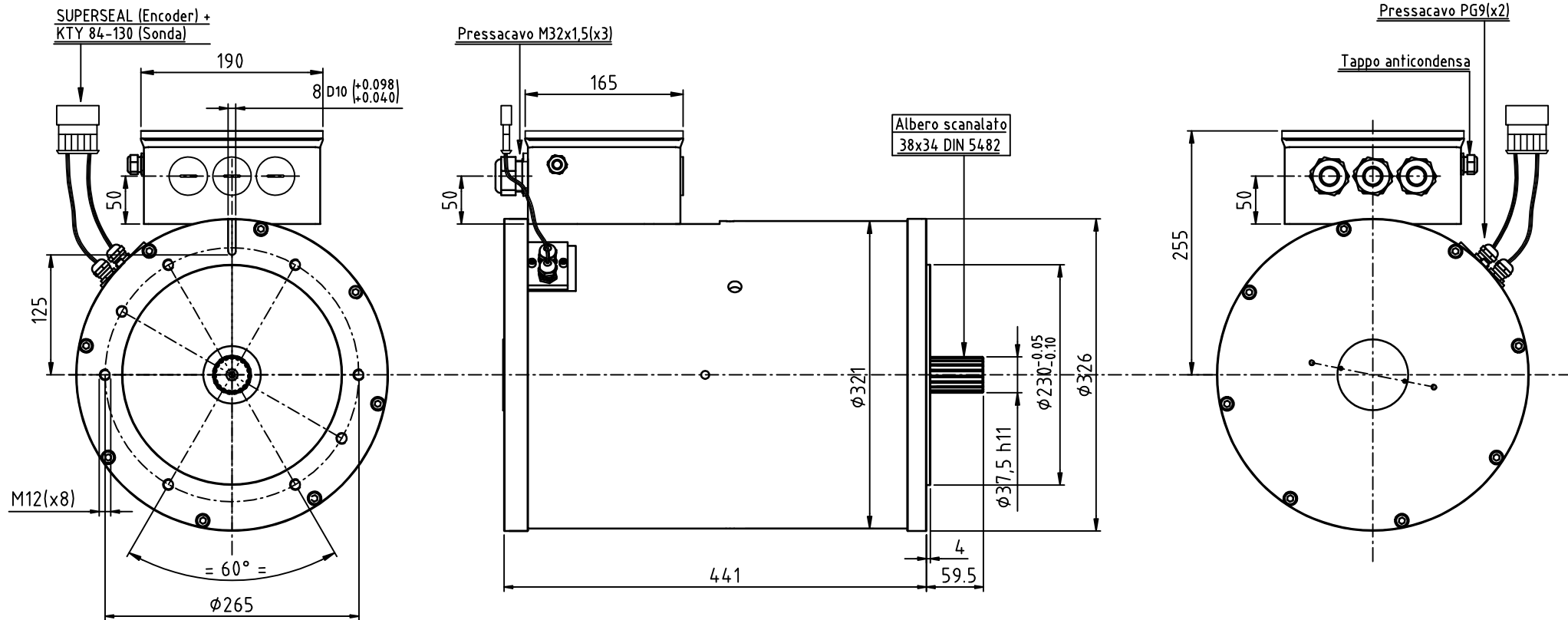


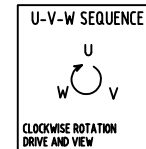
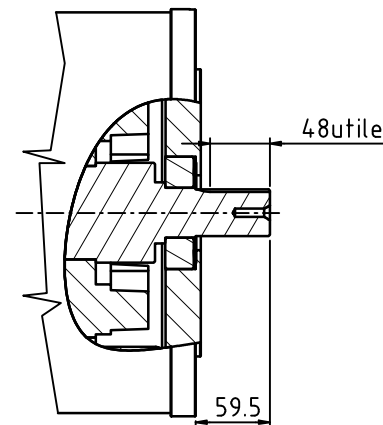
POTENZA POWER 20 kW	TENSIONE VOLTAGE 80VDC-54VAC	CORRENTE CURRENT 290 A	RPM 2000	SERVIZIO SERVICE S2 = 60'	SERVIZIO SERVICE S3 = 70 %	CLASSE ISOL. F	INDEX COOLING IC 410	ECCITAZIONE FREQ. (102 Hz)	PESO WEIGHT Kg 215
---------------------------	------------------------------------	------------------------------	-------------	---------------------------------	----------------------------------	----------------------	-------------------------	-------------------------------	--------------------------



Colore: NERO RAL 9005

Cod.: G1L03300

Firma PROG.: Po M.



INCREMENTAL ENCODER		
OUTPUT FORM:	OPEN COLLECTOR	
POWER SUPPLY:	+5 / +24 VDC	
OUTPUT CURRENT	20 mA max.	
N° PULSE REVOLUTION:	64	
N°PIN:	DESCRIPTION:	COLOUR:
/	+VCC	RED
/	GND	BLACK
/	SIGNAL A	WHITE(Green)
/	SIGNAL B	BLUE
/	KTY 84-130	