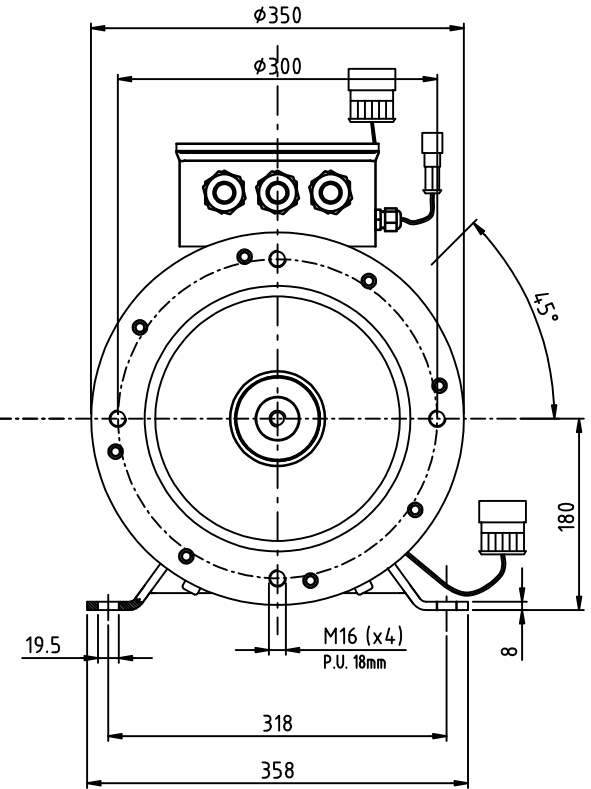
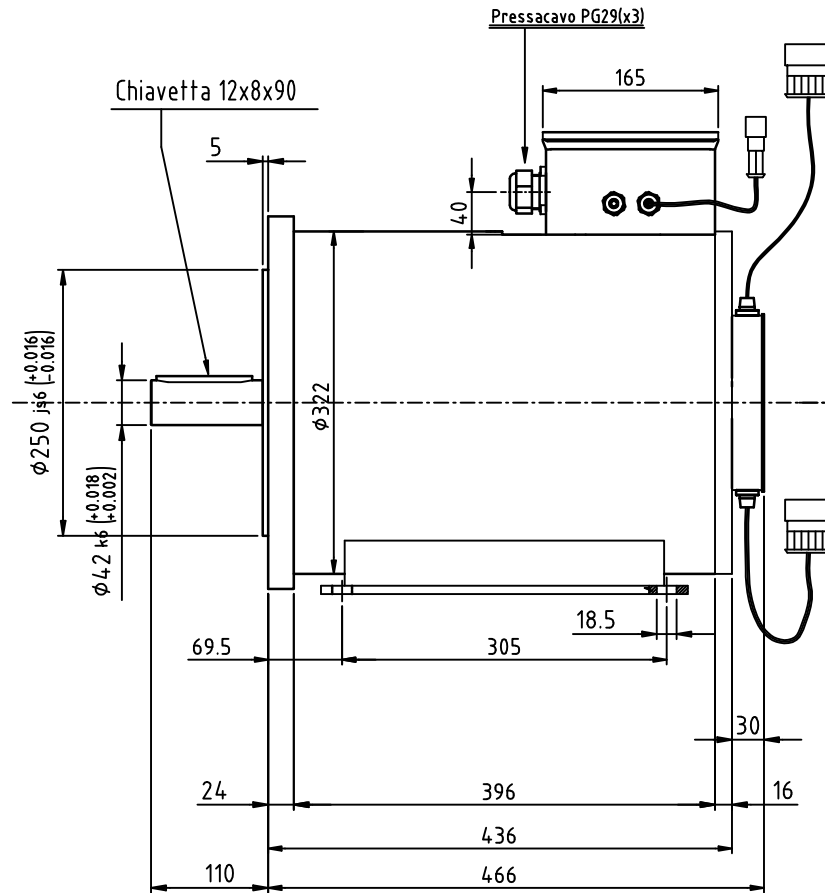
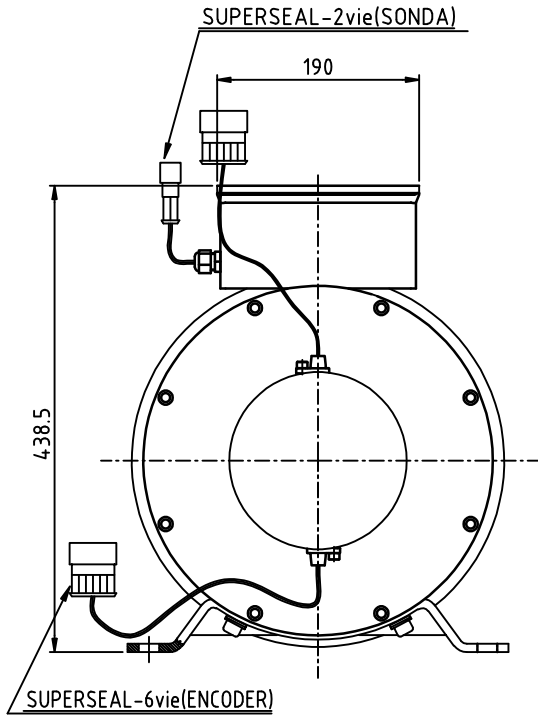


POTENZA POWER 25 kW	TENSIONE VOLTAGE 80VDC-54VAC	CORRENTE CURRENT 360 A	RPM 2565	SERVIZIO SERVICE S2 = 60'	SERVIZIO SERVICE S3 = 70 %	CLASSE ISOL. F	INDEX COOLING IC 410	ECCITAZIONE AC-3M (130 Hz)	PESO WEIGHT Kg --
---------------------------	------------------------------------	------------------------------	-------------	---------------------------------	----------------------------------	----------------------	-------------------------	-------------------------------	-------------------------



INCREMENTAL ENCODER		
OUTPUT FORM:		OPEN COLLECTOR
POWER SUPPLY:		+5 / +24 VDC
OUTPUT CURRENT		20 mA max.
N° PULSE REVOLUTION:		64
N°PIN:	DESCRIPTION:	COLOUR:
1	+VCC	RED
2	GND	BLACK
3	SIGNAL A	WHITE(Green)
4	SIGNAL B	BLUE
5/6	NOT USED	/

Cod.: G1L04106

Firma PROG. : Po M.

