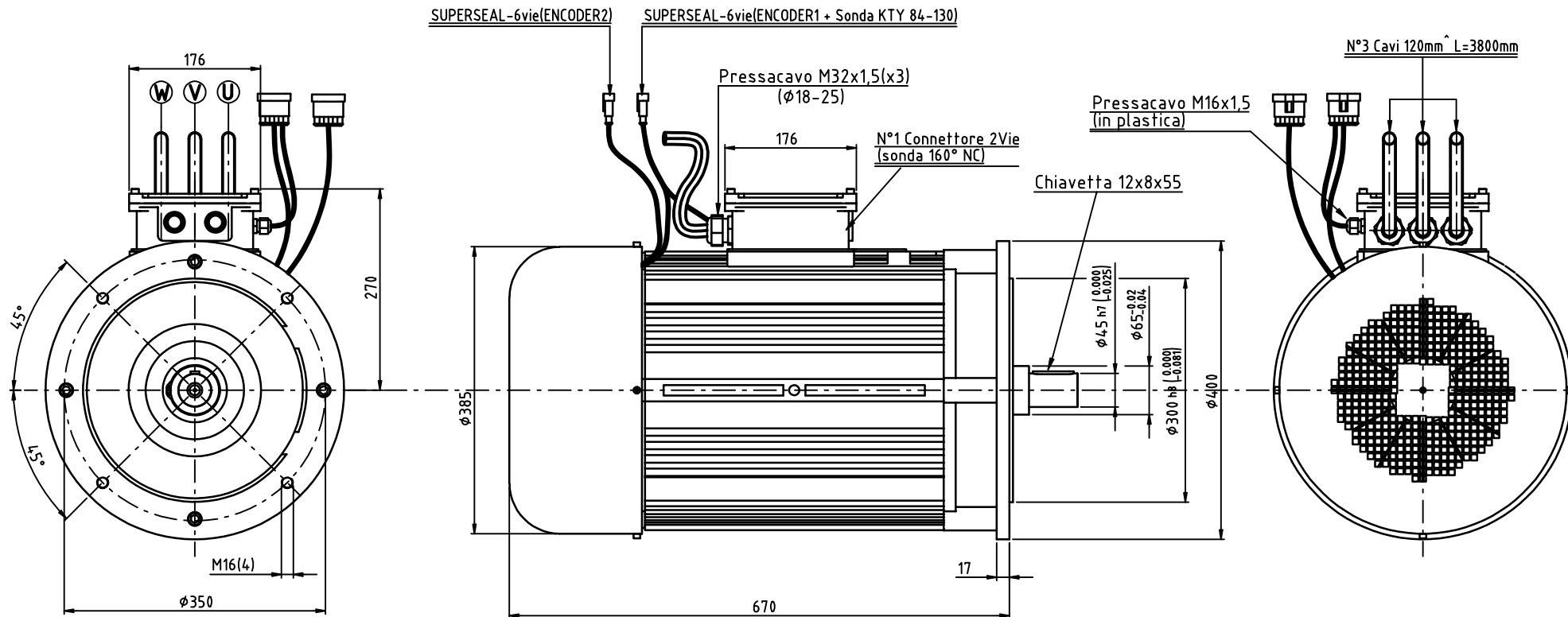


**BEST MOTOR**Tel. 059 - 858059
fax. 059 - 850410**MOTORE-TRAZIONE ϕ 324**

(REV. 3 DEL 22/02/2018)

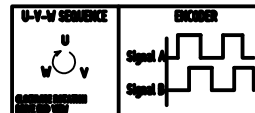


POTENZA POWER 38000 W	TENSIONE VOLTAGE 80 V	CORRENTE CURRENT 550 A	RPM 2500	SERVIZIO SERVICE S2 = 60'	SERVIZIO SERVICE S3 = 70 %	CLASSE ISOL. H	NON VENTILATO	ECCITAZIONE AC (125Hz)	PESO WEIGHT Kg 284
------------------------------------	------------------------------------	-------------------------------------	--------------------	--	---	-----------------------------	--------------------------	----------------------------------	---------------------------------



Cod. G1Z00300

Firma PROG. : Po M.



INCREMENTAL ENCODER 1		
OUTPUT FORM:	OPEN COLLECTOR	
POWER SUPPLY:	+5V \pm 2% VDC	
OUTPUT CURRENT:	20 mA max.	
N° PULSE REVOLUTION:	64	
N° PIN:	DESCRIPTION:	COLOR:
1	+VCC	RED
2	GND	BLACK
3	SIGNAL A	WHITE(Green)
4	SIGNAL B	BLUE
5/6	KTY 84-130°	

INCREMENTAL ENCODER 2		
OUTPUT FORM:	OPEN COLLECTOR	
POWER SUPPLY:	+5V \pm 2% VDC	
OUTPUT CURRENT:	20 mA max.	
N° PULSE REVOLUTION:	64	
N° PIN:	DESCRIPTION:	COLOR:
1	+VCC	RED
2	GND	BLACK
3	SIGNAL A	WHITE(Green)
4	SIGNAL B	BLUE
5/6	NOT USED /	

G1Z00300