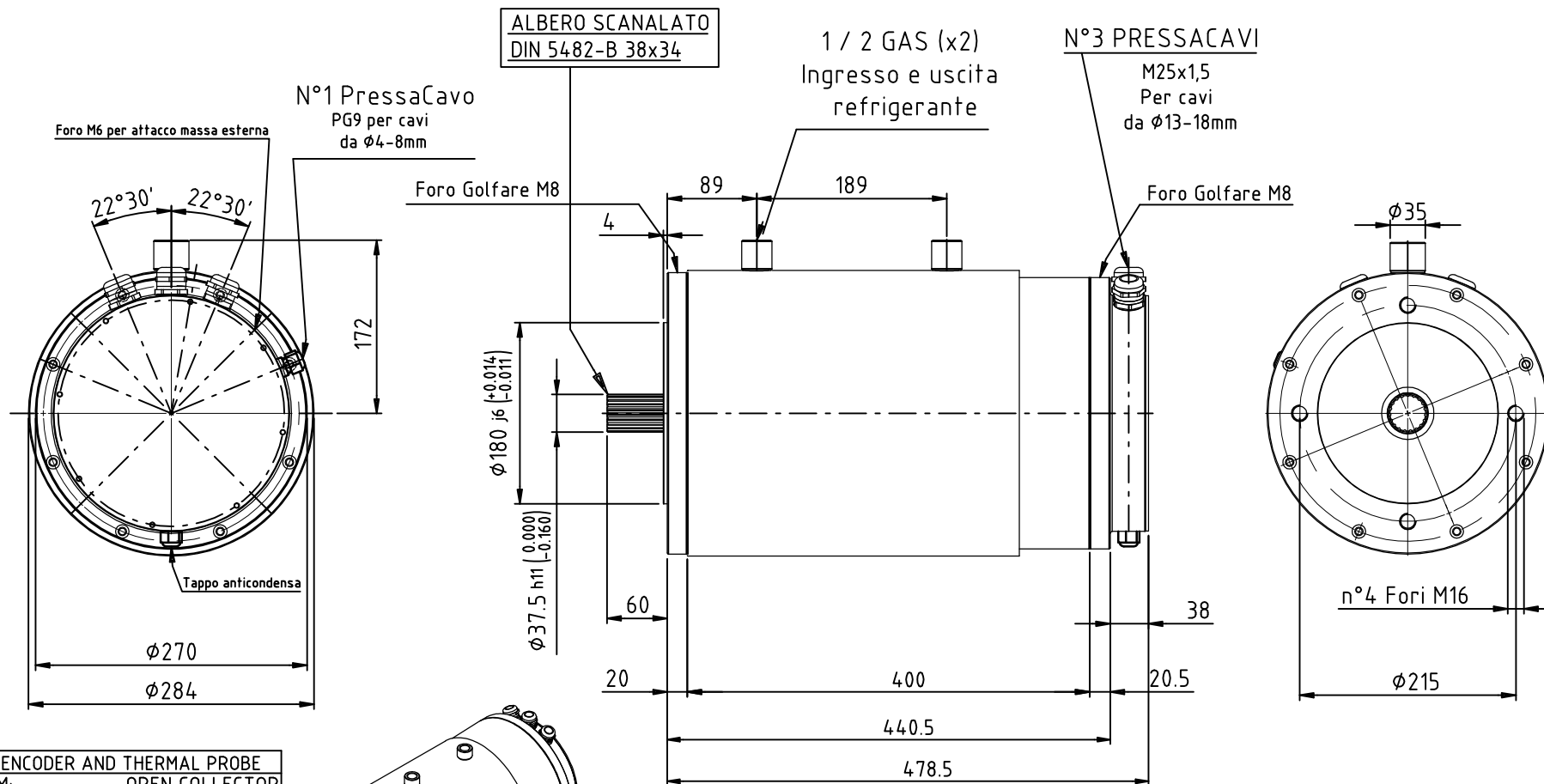
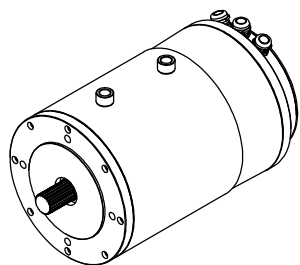


POTENZA POWER 50 kW	TENSIONE VOLTAGE 350VDC-235VAC	CORRENTE CURRENT 145 A	RPM 4000	SERVIZIO SERVICE S2 = 60'	SERVIZIO SERVICE S3 = 70 %	CLASSE ISOL. F	INDEX COOLING IC 86W	ECCITAZIONE AC (135 Hz)	PESO WEIGHT Kg --
---------------------------	--------------------------------------	------------------------------	-------------	---------------------------------	----------------------------------	----------------------	-------------------------	----------------------------	-------------------------



CONNECTIONS ENCODER AND THERMAL PROBE		
OUTPUT FORM:	OPEN COLLECTOR	
POWER SUPPLY:	+5 / +24 VDC	
OUTPUT CURRENT	20 mA max.	
N° PULSE REVOLUTION:	64	
N°PIN:	DESCRIPTION:	COLOUR:
1	+VCC	RED
2	SIGNAL B	BLUE
3	SIGNAL A	WHITE(Green)
4	GND	BLACK
5	PT1000	RED
6	PT1000	WHITE
7	PT1000	RED
8	PT1000	WHITE



G1Z04000

Firma PROG. : Po M.

