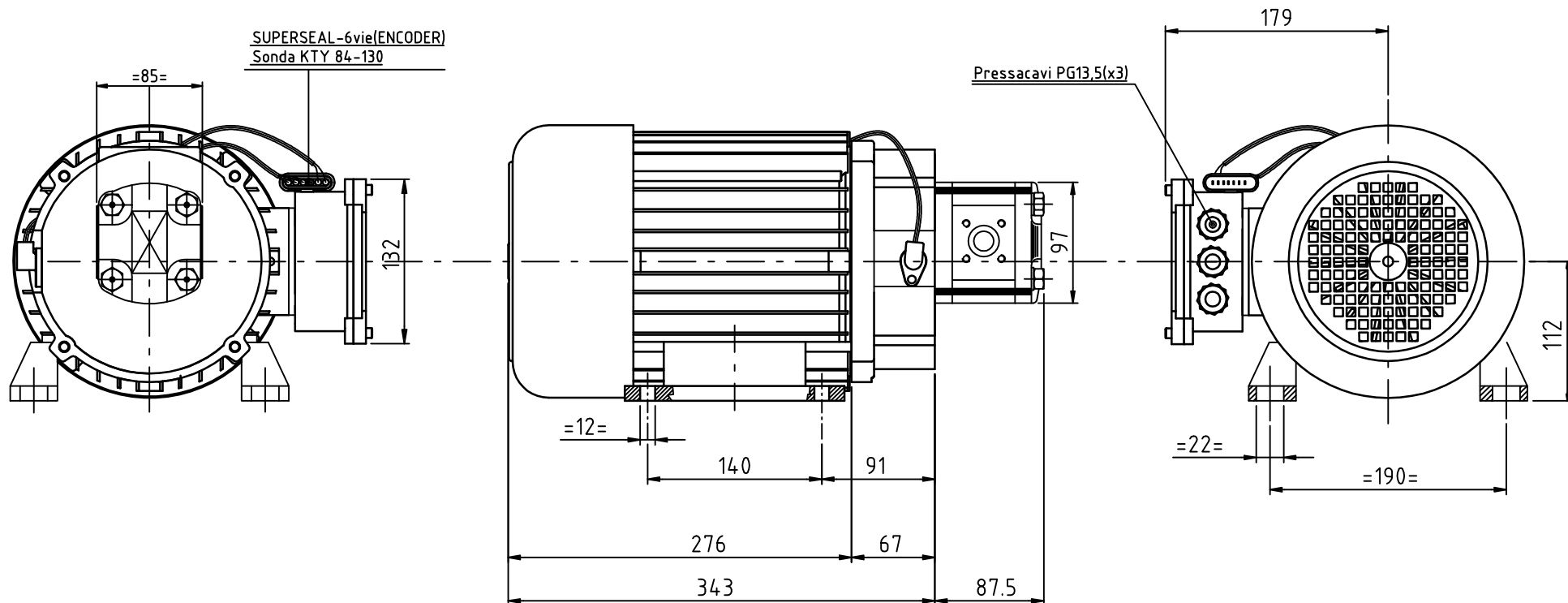


|                            |                             |                             |             |                                 |                                  |                      |                         |                              |                         |
|----------------------------|-----------------------------|-----------------------------|-------------|---------------------------------|----------------------------------|----------------------|-------------------------|------------------------------|-------------------------|
| POTENZA<br>POWER<br>5000 W | TENSIONE<br>VOLTAGE<br>80 V | CORRENTE<br>CURRENT<br>90 A | RPM<br>2350 | SERVIZIO<br>SERVICE<br>S2 = 50' | SERVIZIO<br>SERVICE<br>S3 = 60 % | CLASSE<br>ISOL.<br>F | VENTILAZIONE<br>ESTERNA | ECCITAZIONE<br>FREQ. (80 Hz) | PESO<br>WEIGHT<br>Kg -- |
|----------------------------|-----------------------------|-----------------------------|-------------|---------------------------------|----------------------------------|----------------------|-------------------------|------------------------------|-------------------------|



| INCREMENTAL ENCODER  |                |              |
|----------------------|----------------|--------------|
| OUTPUT FORM:         | OPEN COLLECTOR |              |
| POWER SUPPLY:        | +5 / +24 VDC   |              |
| OUTPUT CURRENT       | 20 mA max.     |              |
| N° PULSE REVOLUTION: | 64             |              |
| N°PIN:               | DESCRIPTION:   | COLOUR:      |
| 1                    | +VCC           | RED          |
| 2                    | GND            | BLACK        |
| 3                    | SIGNAL A       | WHITE(Green) |
| 4                    | SIGNAL B       | BLUE         |
| 5/6                  | KTY 84-130     |              |

Cod.: GG501400

Firma PROG. : Po M.

