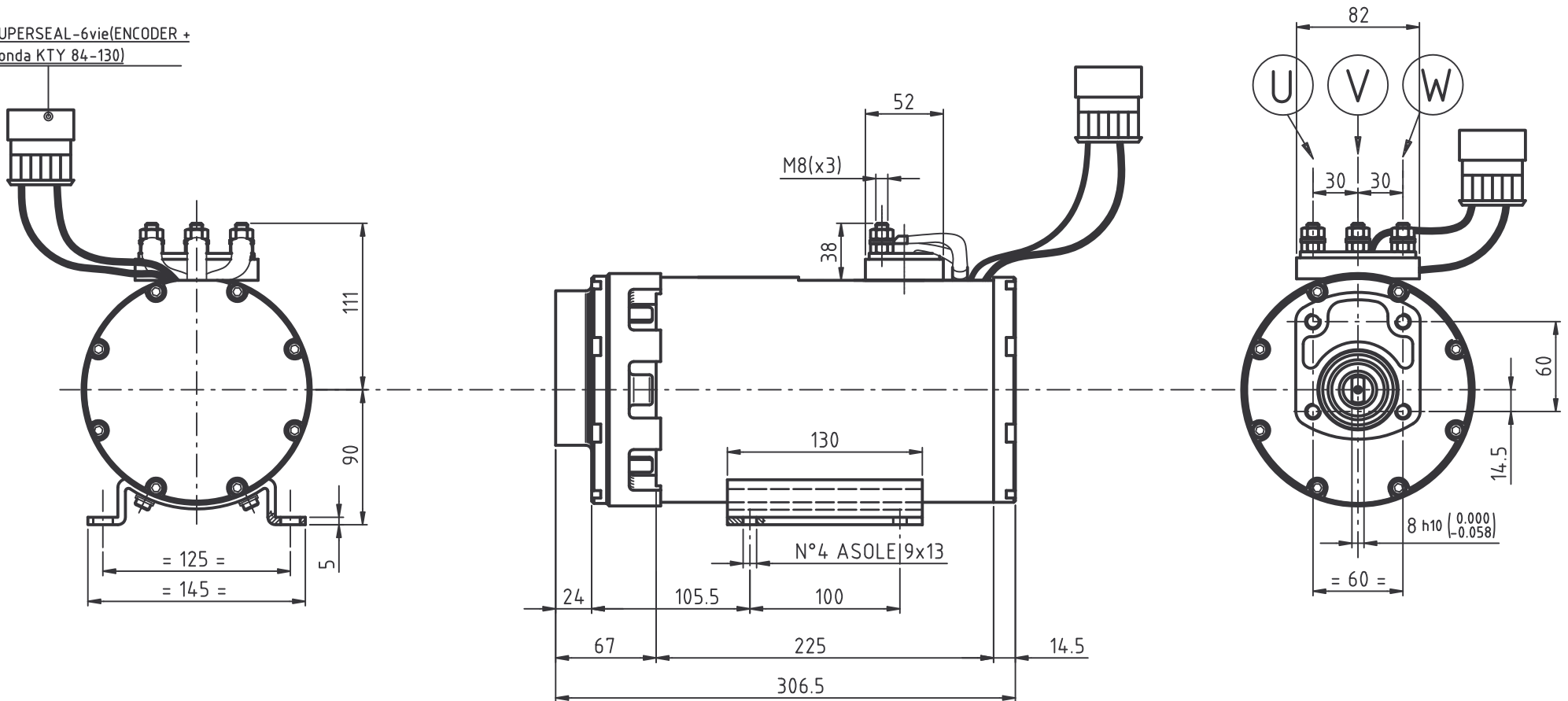


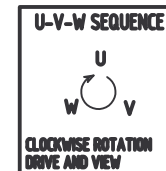
POTENZA POWER 1500 W	TENSIONE VOLTAGE 96 V	CORRENTE CURRENT 24 A	RPM 1500	SERVIZIO SERVICE S2 = 60'	SERVIZIO SERVICE S3 = 70 %	CLASSE ISOL. F	NON VENTILATO	ECCITAZIONE AC (50Hz)	PESO WEIGHT Kg --
----------------------------	-----------------------------	-----------------------------	-------------	---------------------------------	----------------------------------	----------------------	------------------	--------------------------	-------------------------

SUPERSEAL-6vie(ENCODER +
Sonda KTY 84-130)



Cod.: J0150106

Firma PROG. : Po M.



SENSOR SEN+COS		
N°PIN:	DESCRIPTION:	COLOUR:
1	+VCC	RED
2	GND	BLACK
3	COS	WHITE(Green)
4	SEN	BLUE
5/6	Sonda KTY84-130°	