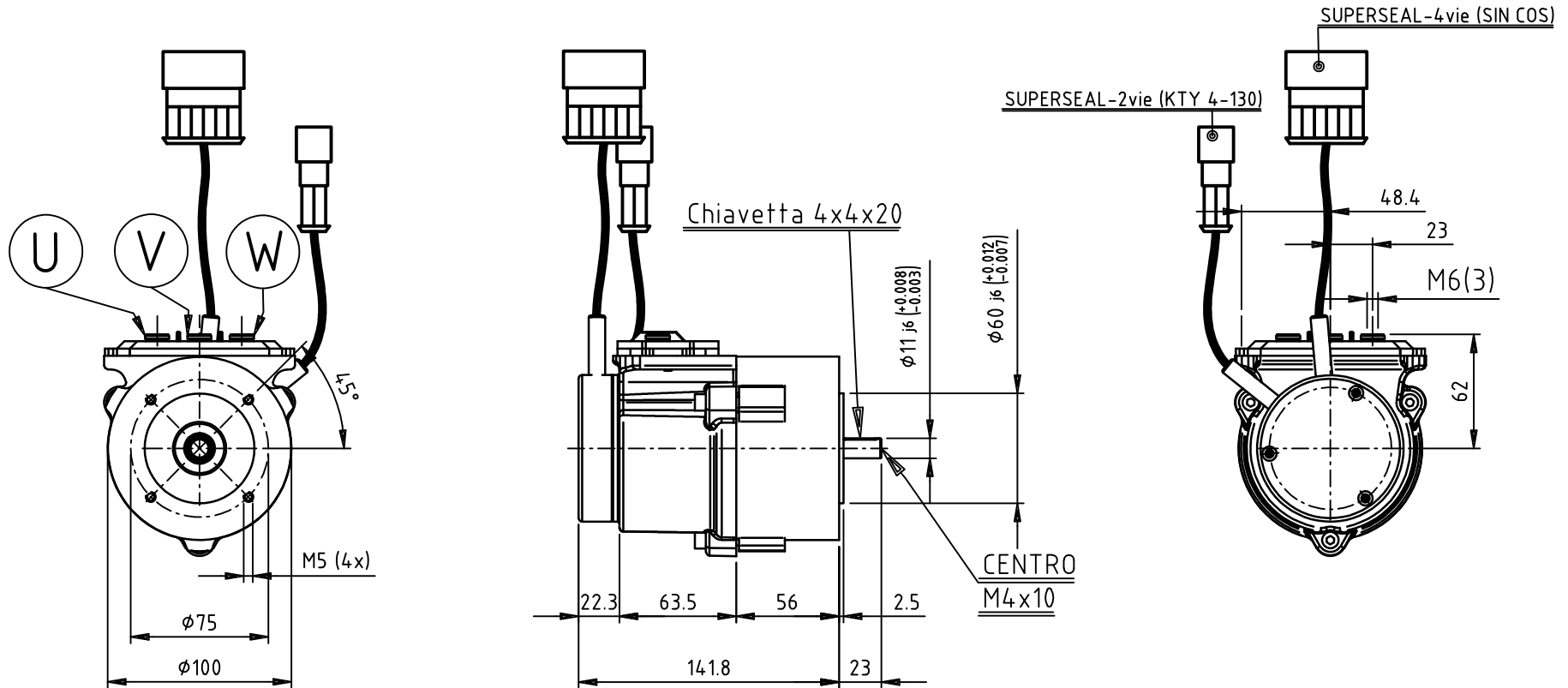


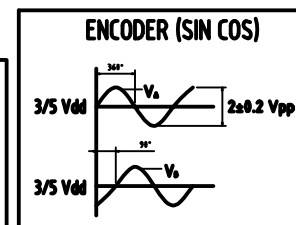
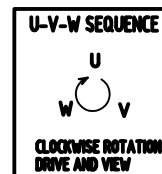


POTENZA POWER 250 W	TENSIONE VOLTAGE 36VDC-24VAC	CORRENTE CURRENT 10 A	RPM 2200	SERVIZIO SERVICE S2 = 60'	SERVIZIO SERVICE S3 = 70 %	CLASSE ISOL. F	INDEX COOLING IC 410	ECCITAZIONE AC (3M) 73Hz	PESO WEIGHT Kg --
----------------------------------	---	------------------------------------	--------------------	--	---	-----------------------------	--------------------------------	------------------------------------	--------------------------------



J1020100

Firma PROG. : PO M.



ANALOGUE SINUSOIDAL OUTPUTS		
POWER SUPPLY:		+5V DC $\pm 5\%$
OUTPUT CURRENT		13 mA max.
OUTPUT: SIGNAL AMPLITUDE		2 ± 0.2 V _{pp}
N°PIN:	DESCRIPTION:	COLOUR:
1	+V _{dd}	RED
2	GND	ORANGE
3	VA	BLACK
4	VB	BROWN
5/6	//	